

(1)X1



(4)X4



(2)X4



(5)X1

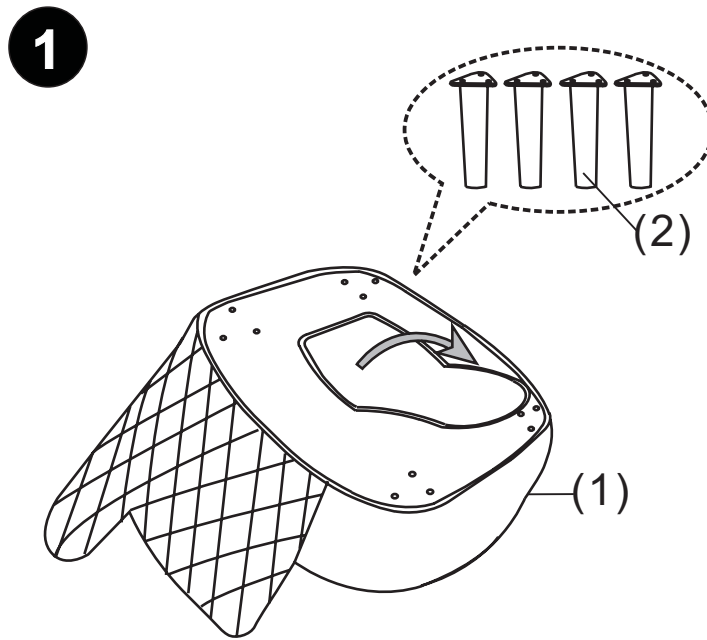


M6

(3)X12



M6X20MM



Open the bottom of the chair and take the legs out.

