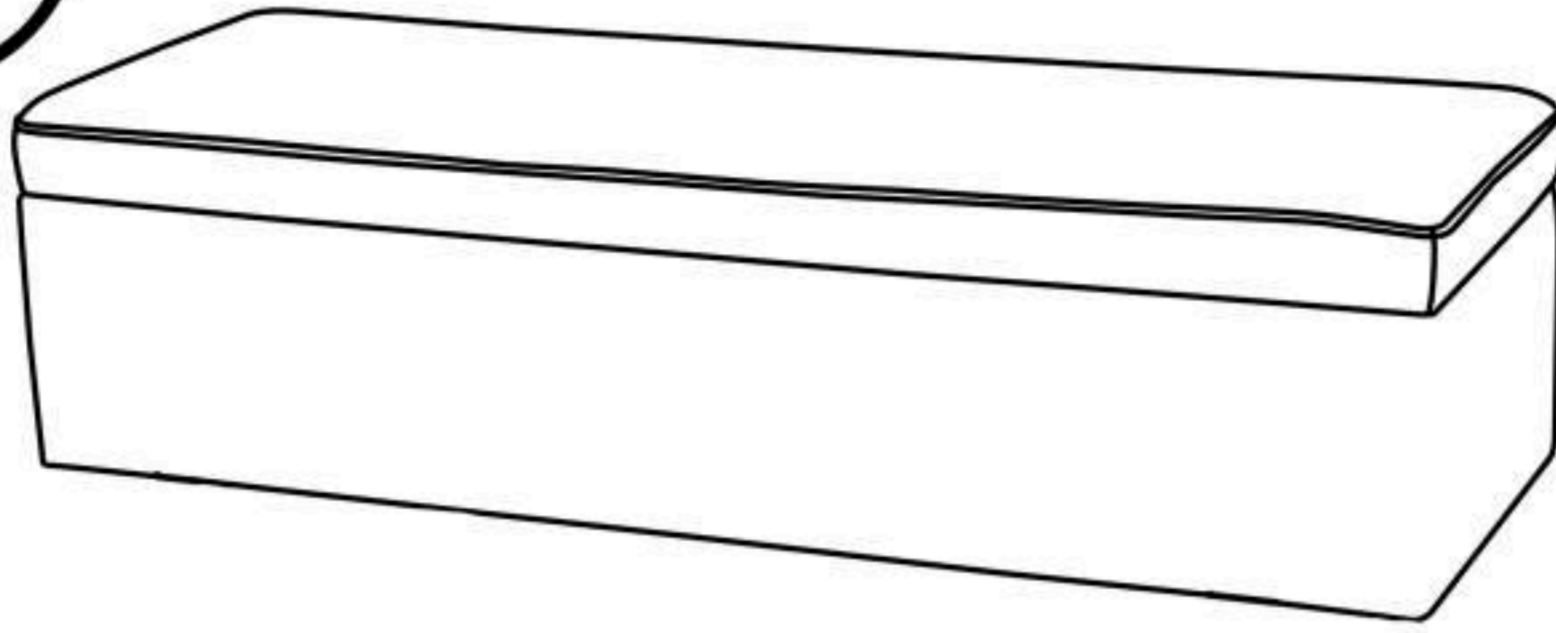
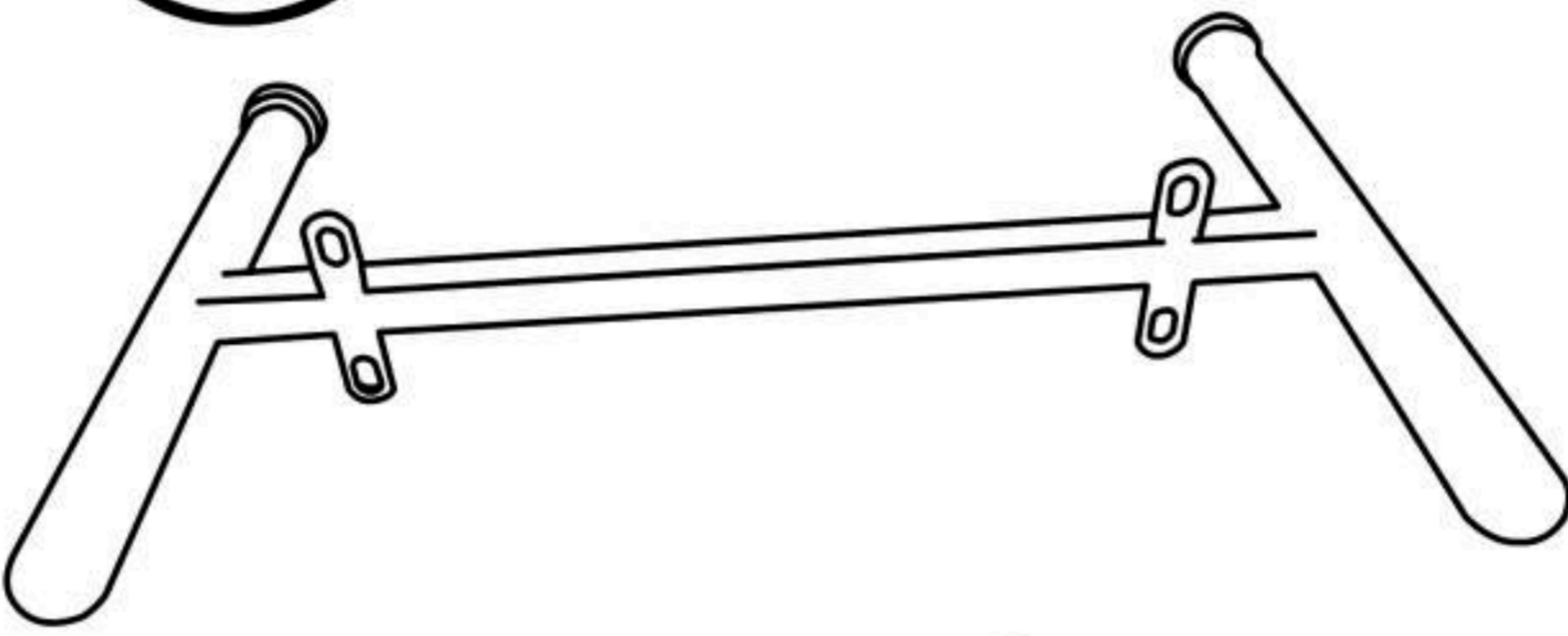

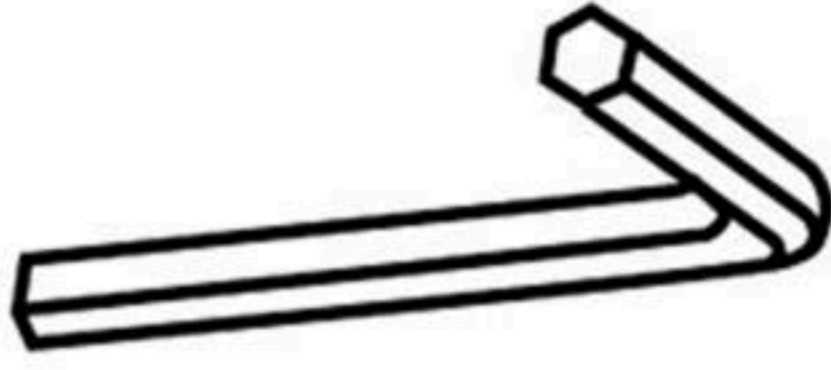


Assembly Instruction

PARTS	A 	B 	C 	D 
QTY	1PC	2PCS	8PCS	1PC

