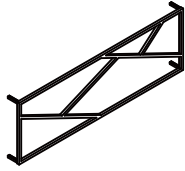


# ASSEMBLY INSTRUCTION

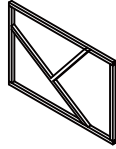
A-1pc



B-2pcs



C-2pcs



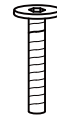
D-12pcs



E-1pc



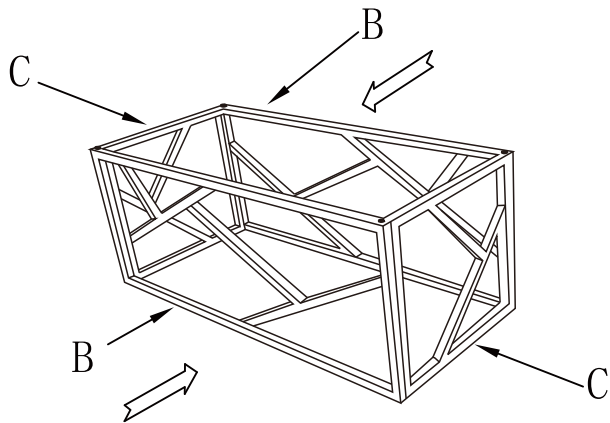
F-4pcs



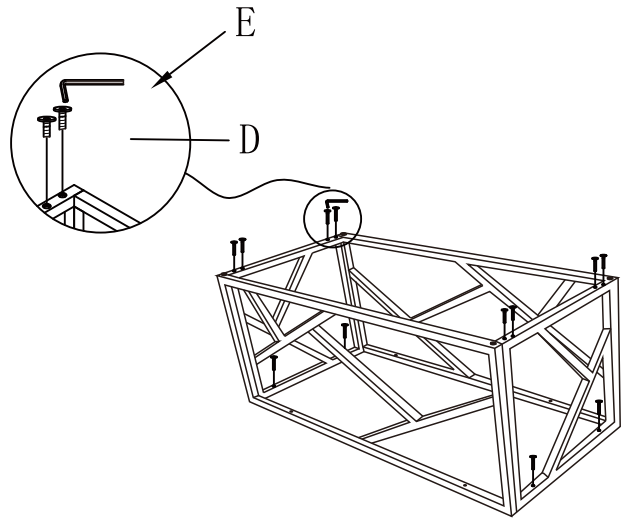
G-4pcs



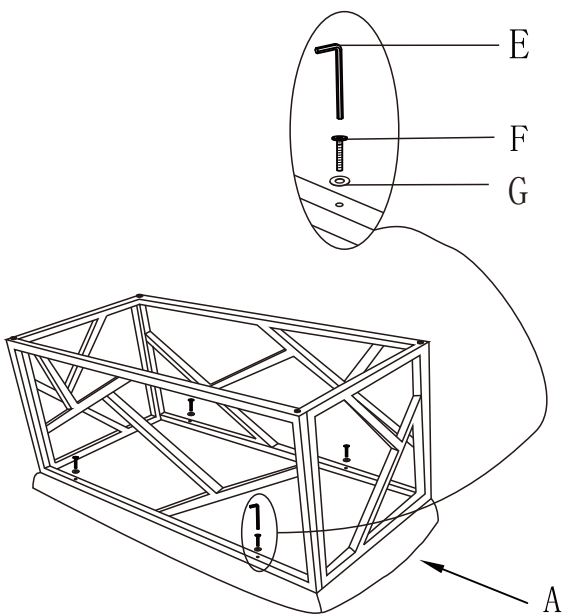
1



2



3



4

