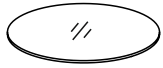
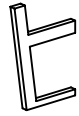


# ASSEMBLY INSTRUCTION

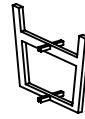
A-1PC



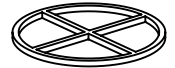
B-2PCS



C-1PC



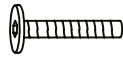
D-1PC



E-8PCS



F-4PCS



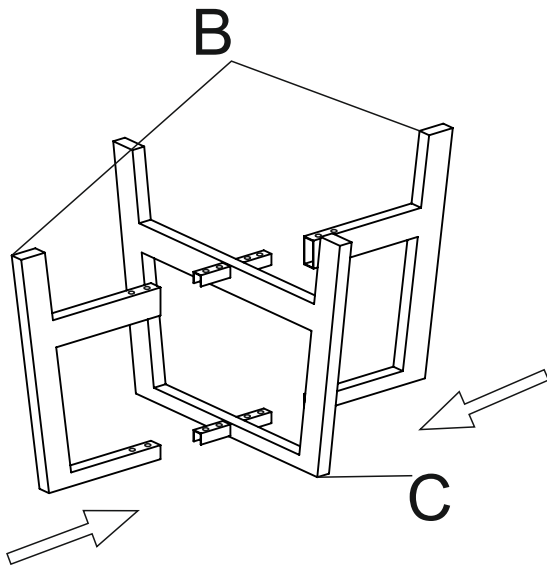
G-4PCS



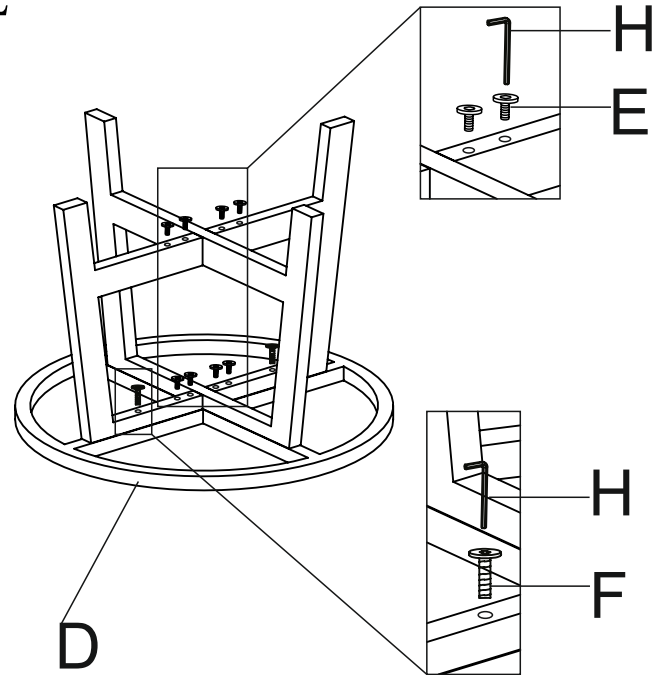
H-1PC



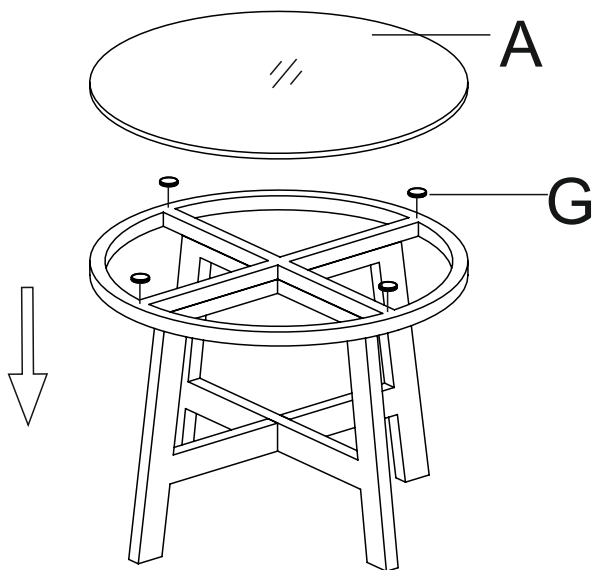
1



2



3



4

