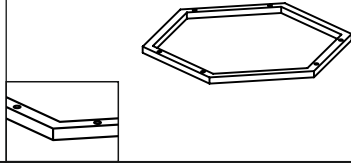


# ASSEMBLY INSTRUCTION

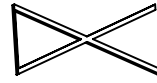
A-1PC



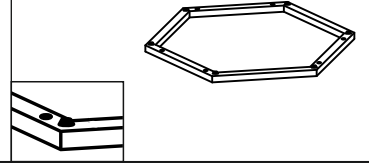
B-1PC



C-3PCS



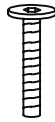
D-1PC



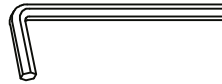
E-6PCS



F-6PCS



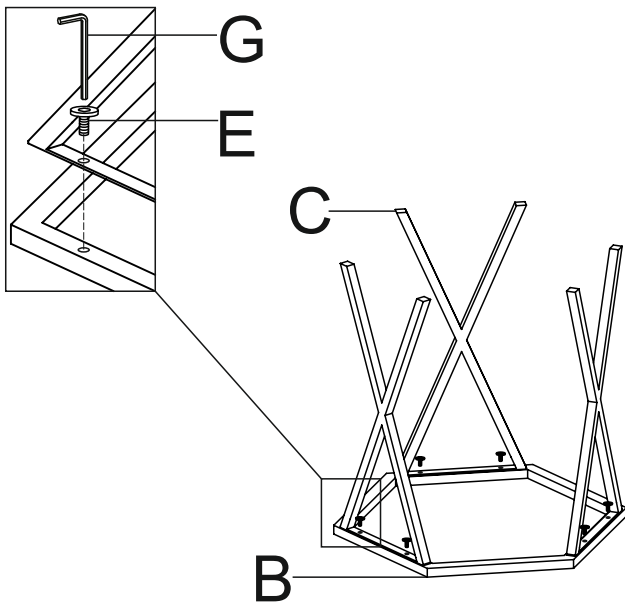
G-1PC



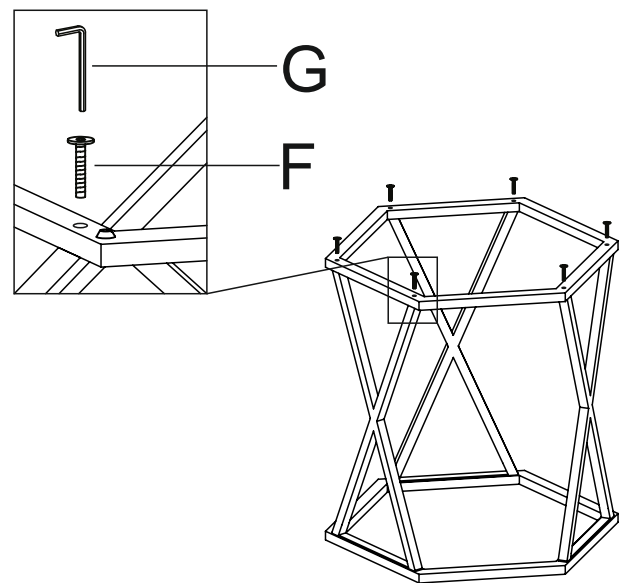
H-6PCS



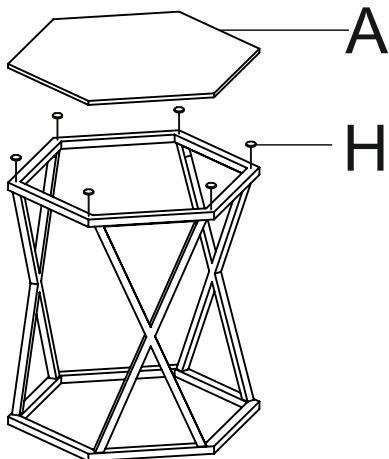
1



2



3



4

