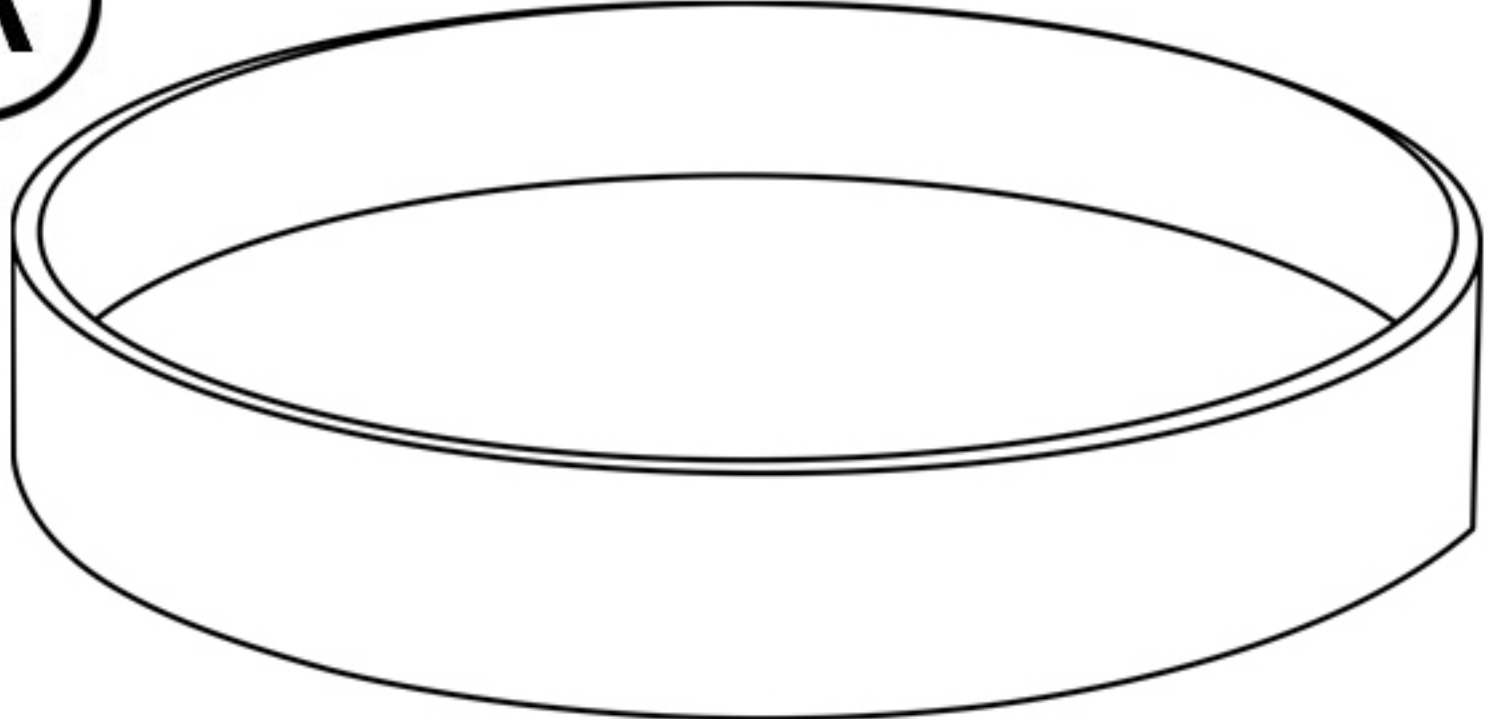
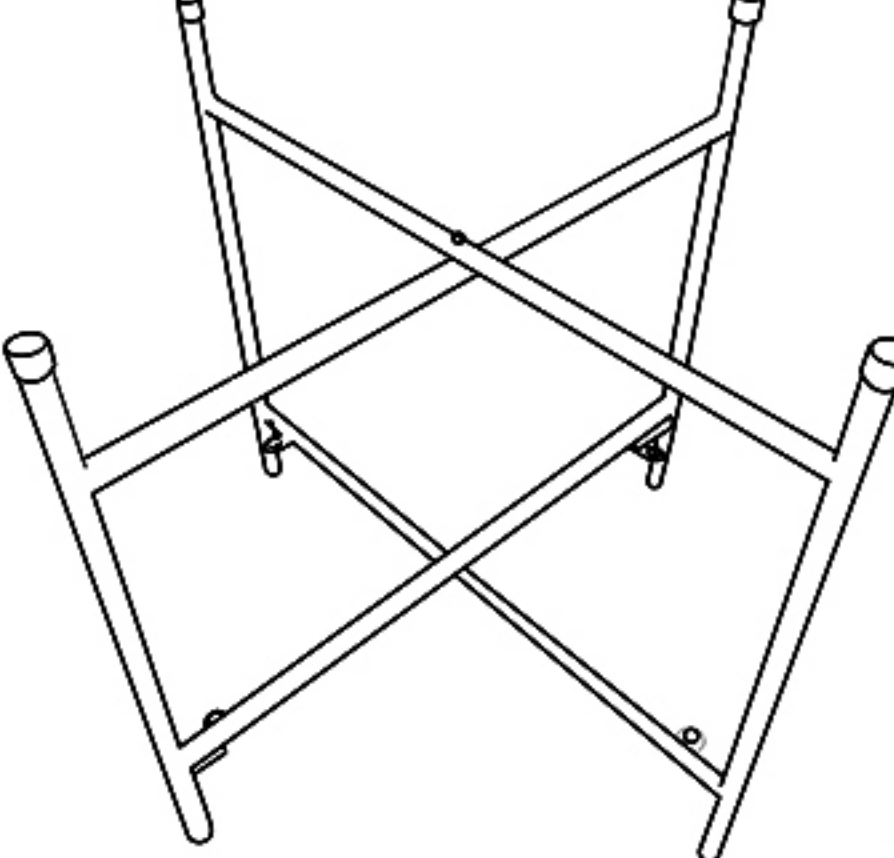
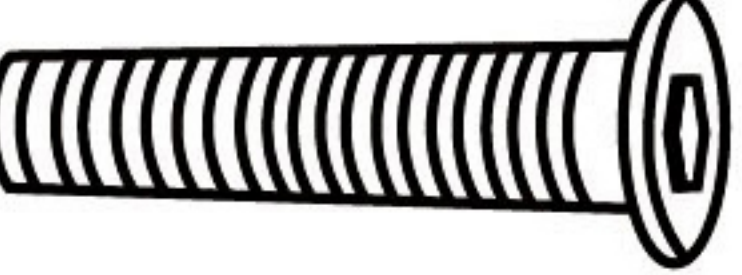
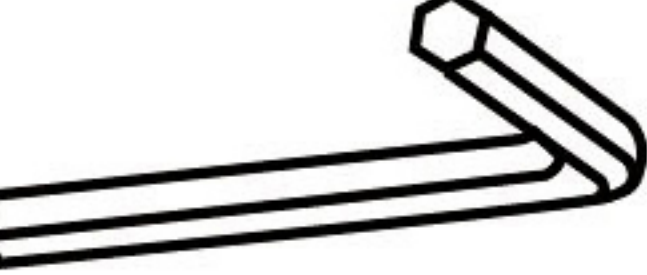
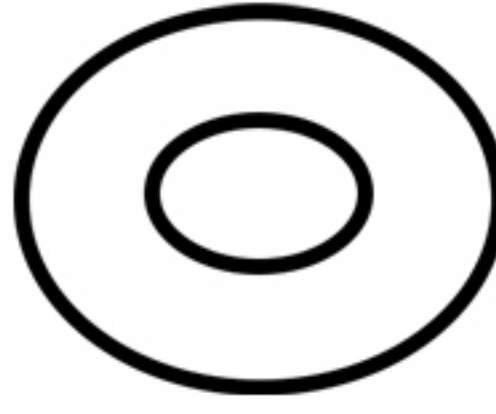

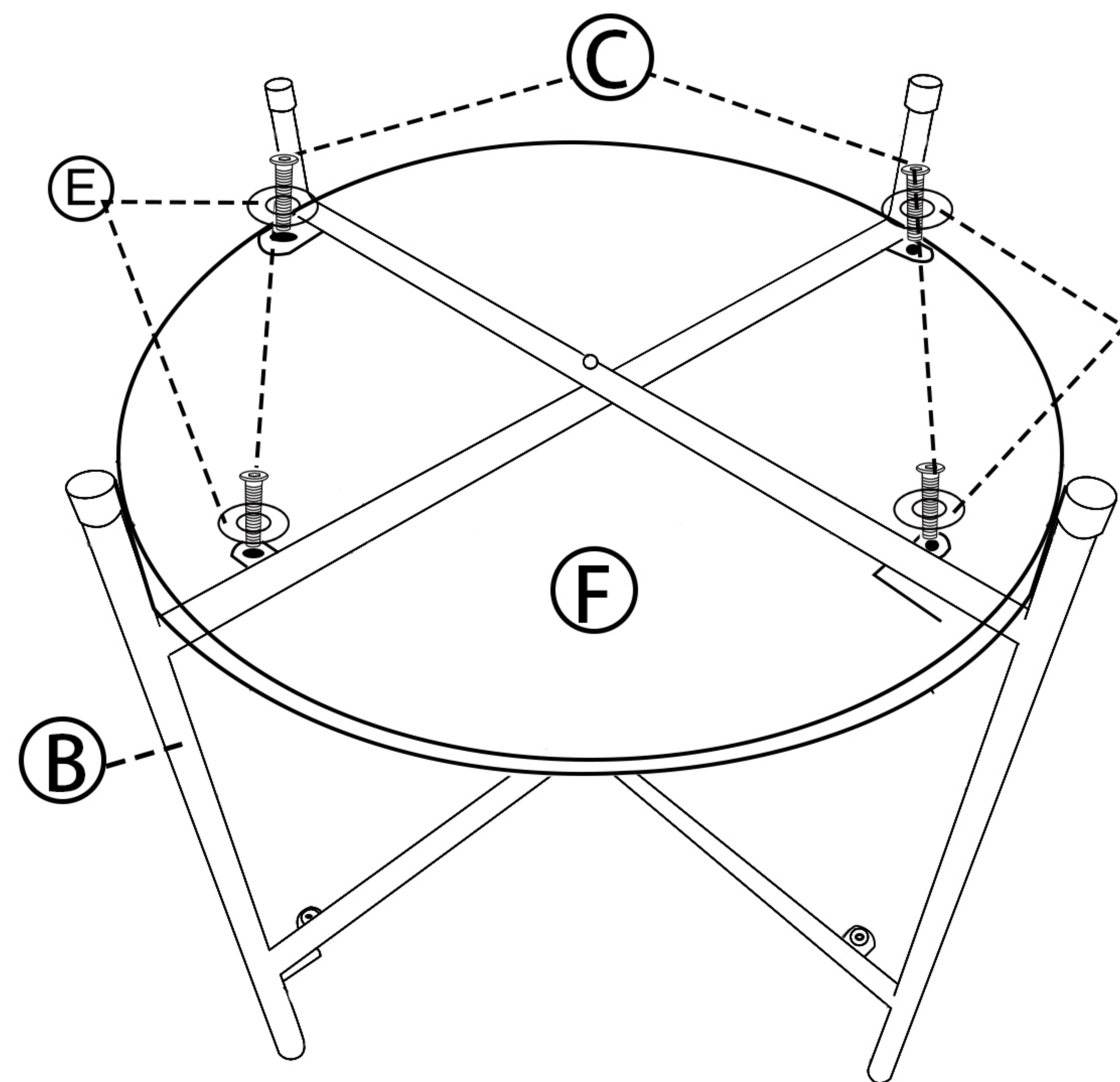


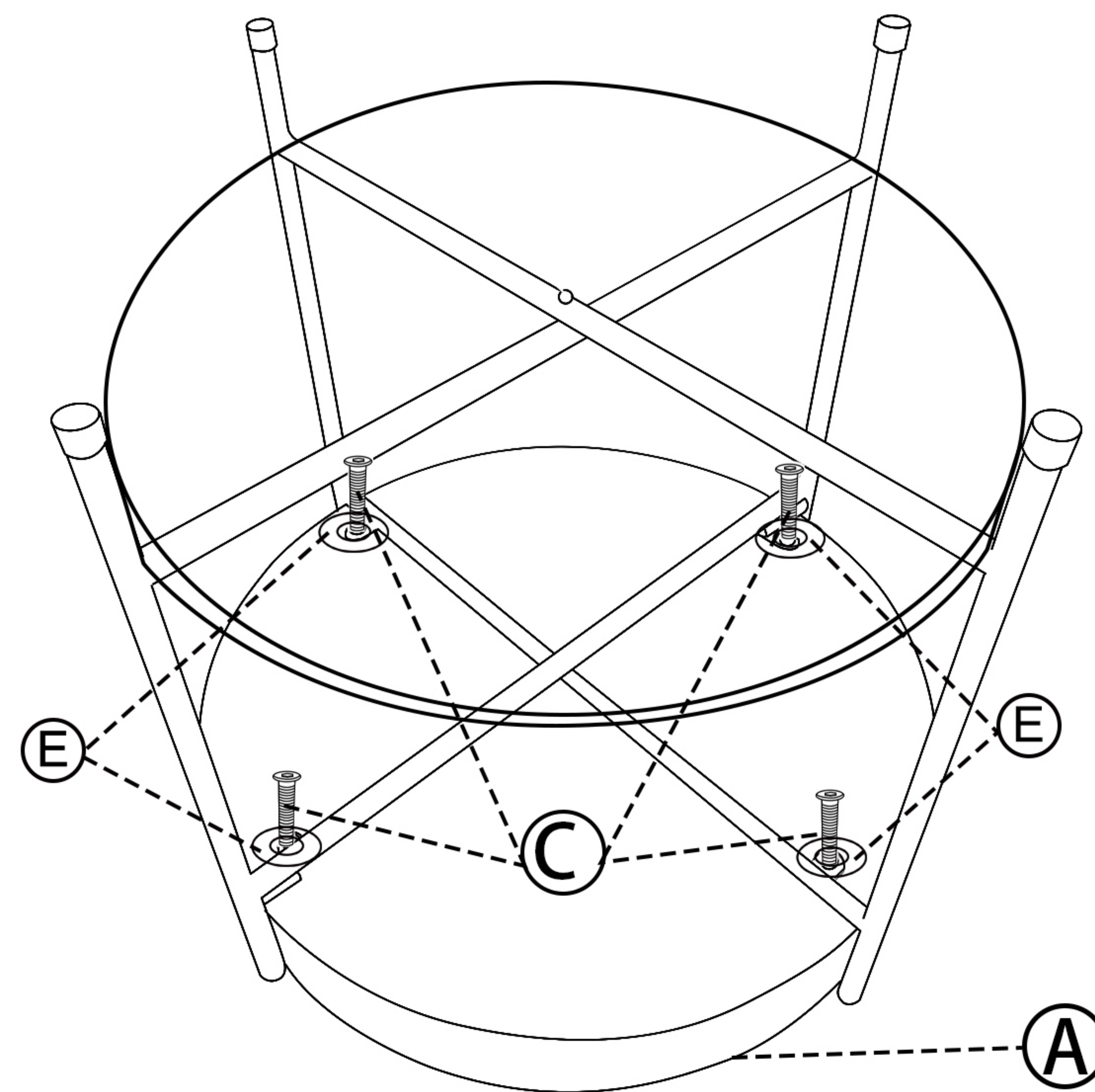
Assembly Instructions

PARTS	(A) 	(B) 	(C) 	(D) 	(E) 	(F) 
QTY	1pc	1pc	8PCS	1pc	8PCS	1pc

STEP1



STEP2



COMPLETION

