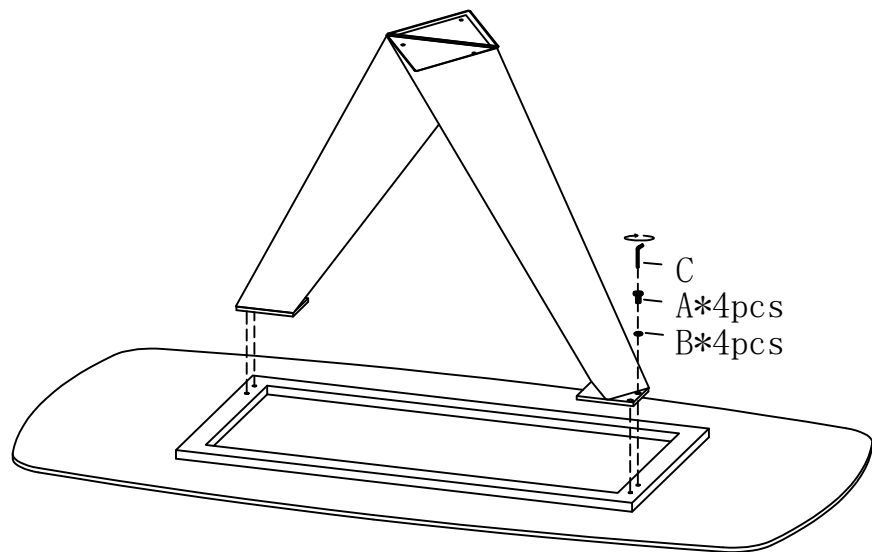
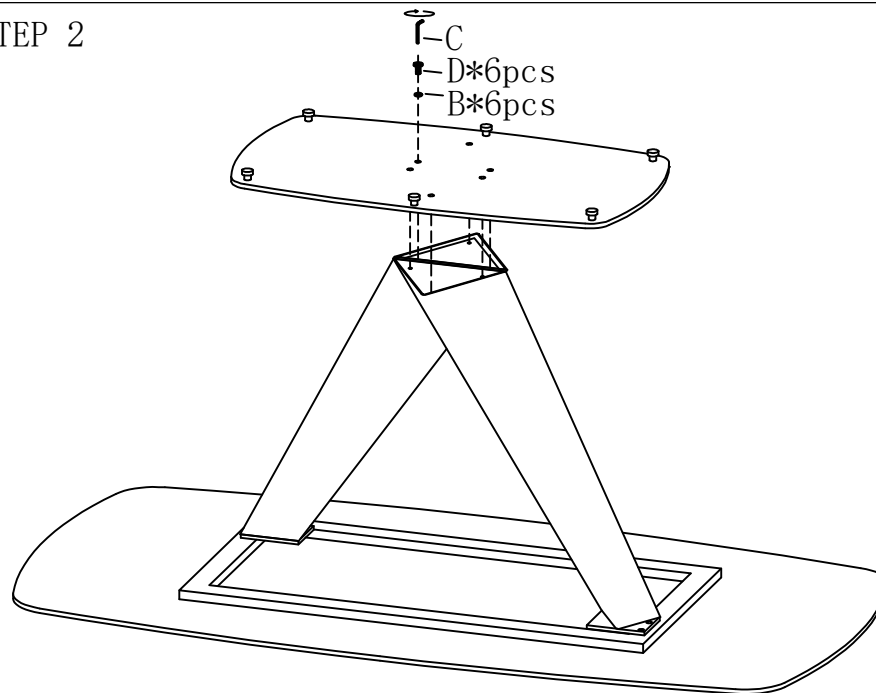


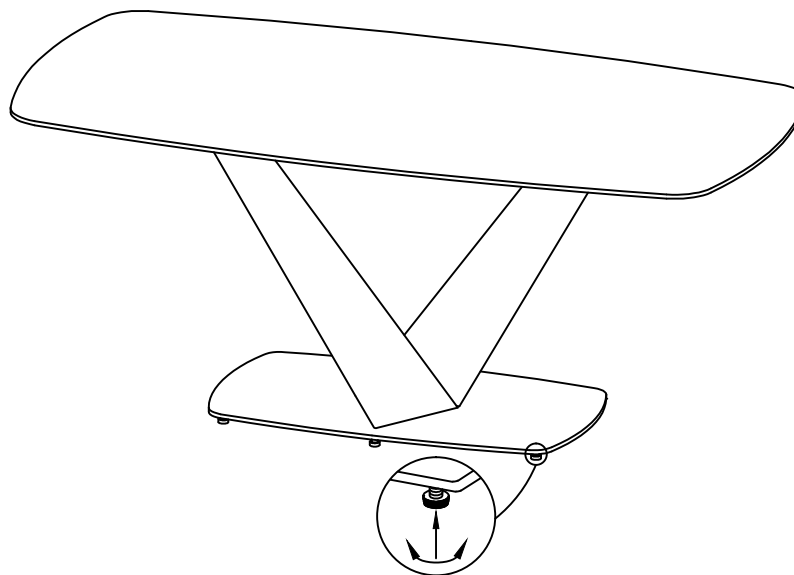
STEP 1







STEP 2



FINISH



A	B	C	D
 M8X20	 $\phi 8$	 5#	 M8X30
4PCS	10PCS	1PC	6PCS