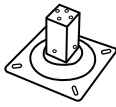


ASSEMBLING INSTRUCTION

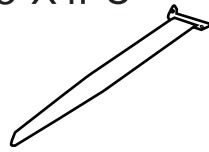
1 X1PC



2 X1PC



3 X4PC



A X12PCS



M6*16

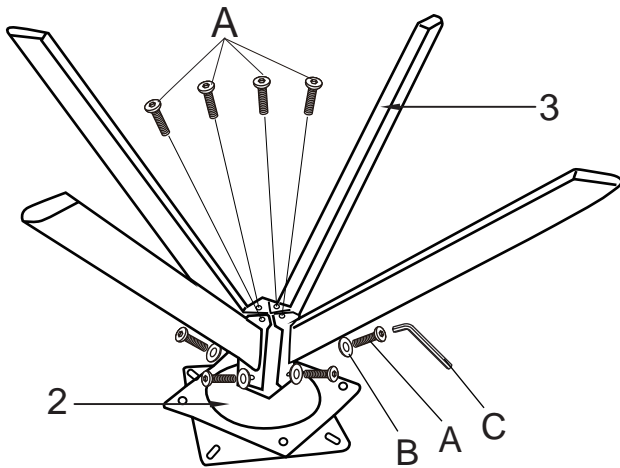
B X8PCS



C X1PC



1



3

