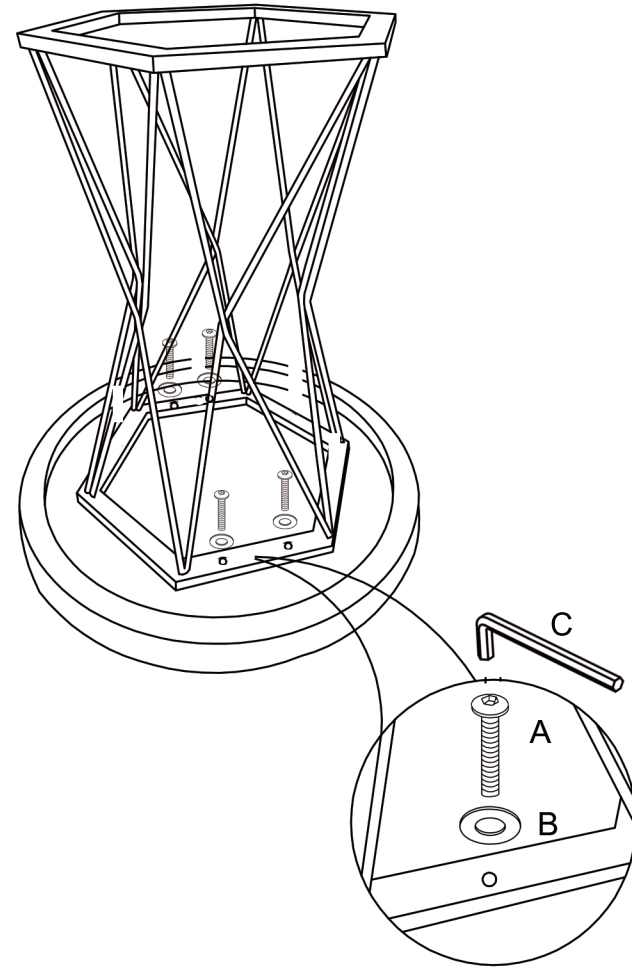
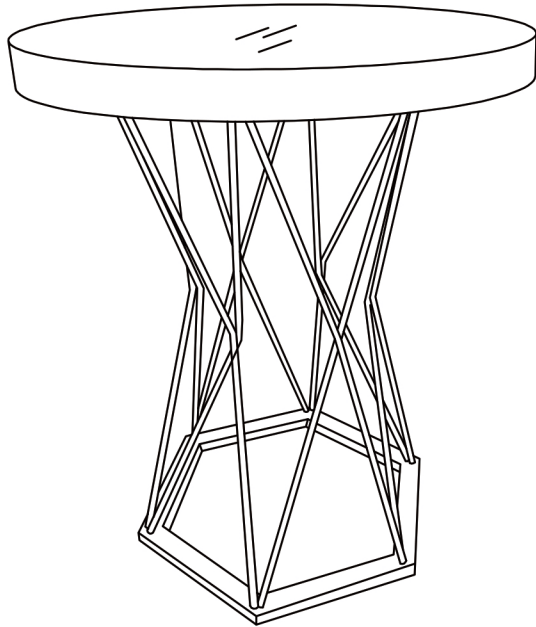
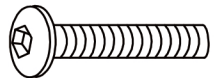


ASSEMBLE INSTRUCTION



A



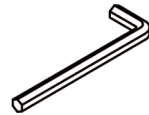
4x

B



4x

C



1x