
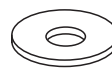


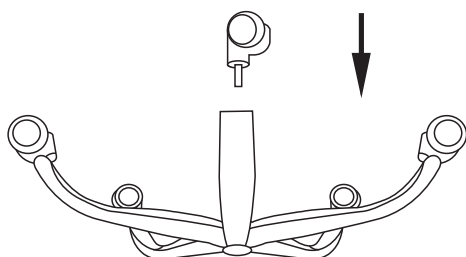


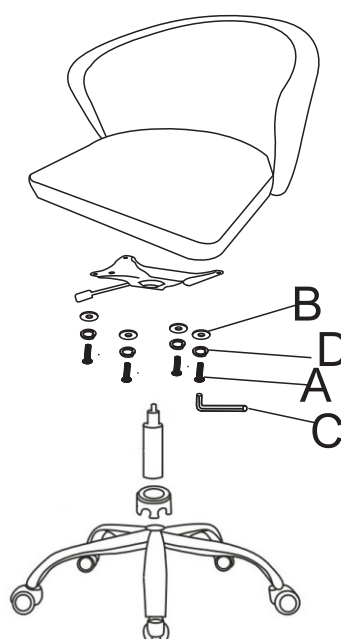
# ASSEMBLY INSTRUCTION

A X4	B X4	C X1	D X4
 M6x20mm			

1



2



3

