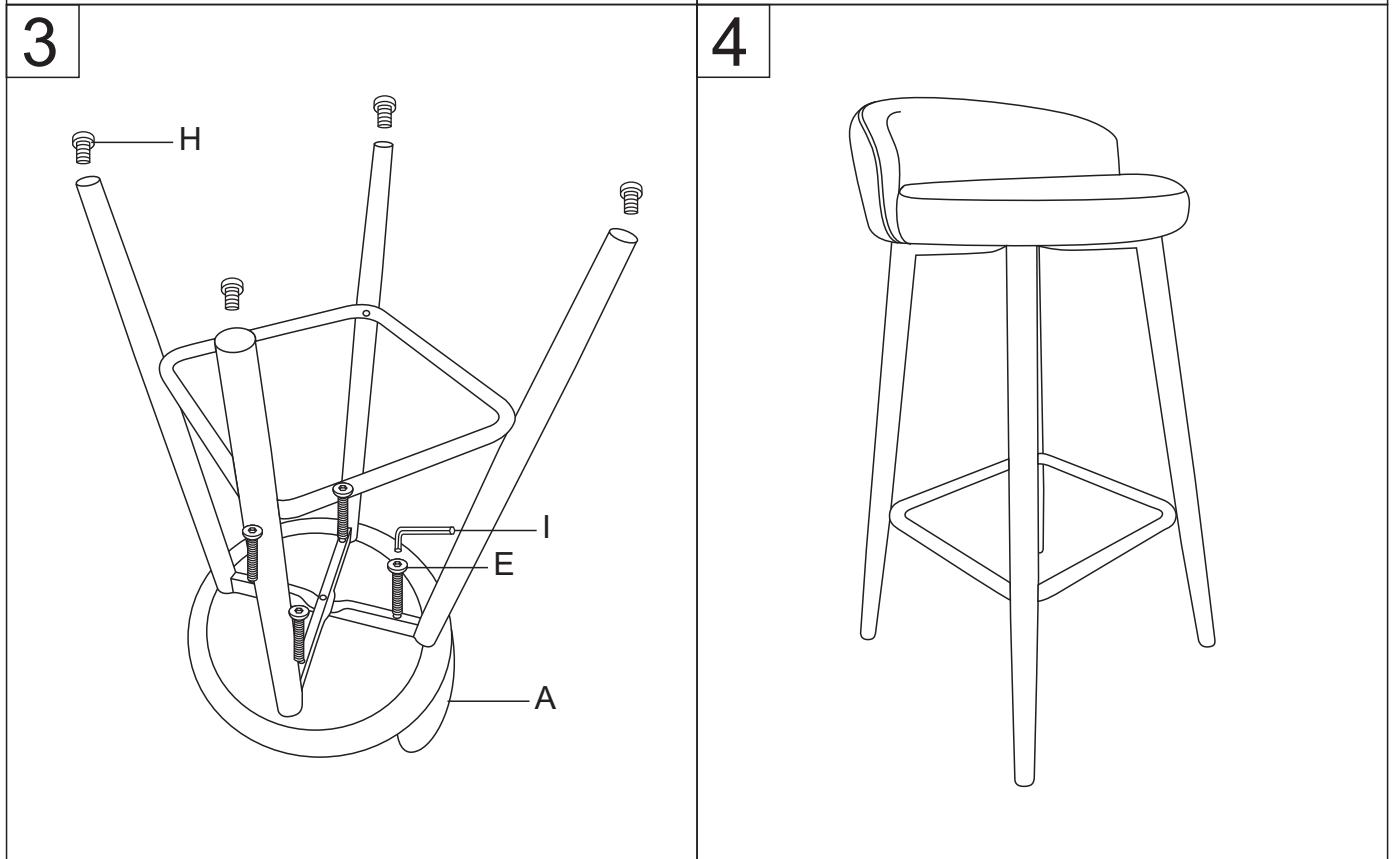
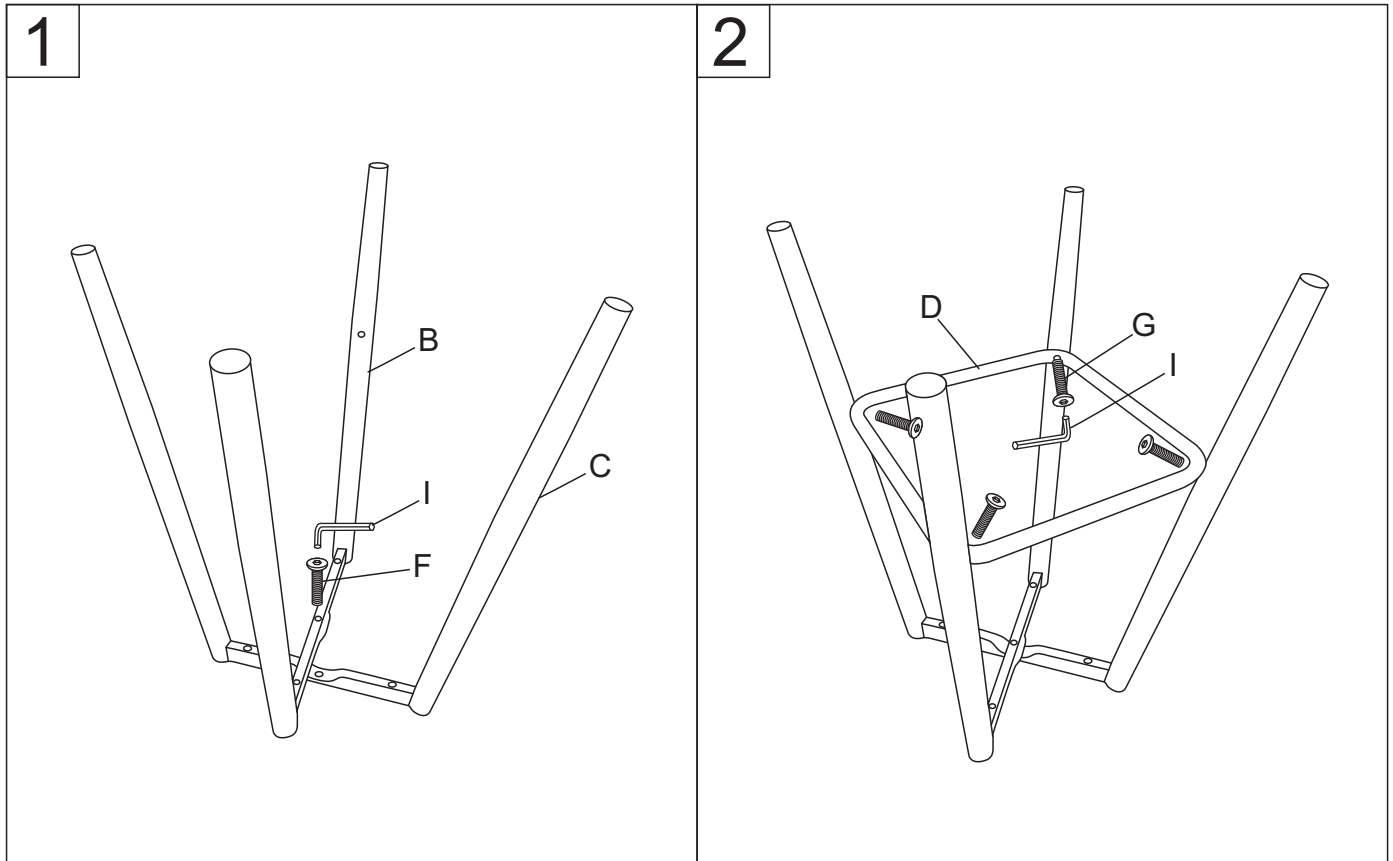


ASSEMBLY INSTRUCTION



Ax1	Bx1	Cx1	Dx1	Ex4	Fx1	Gx4	Hx4	Ix1
				M6*50mm	M6*30mm	M6*25mm		