

ASSEMBLING INSTRUCTION

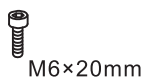
1 X 1 PC



2 X 1 PC



A X 3 PCS



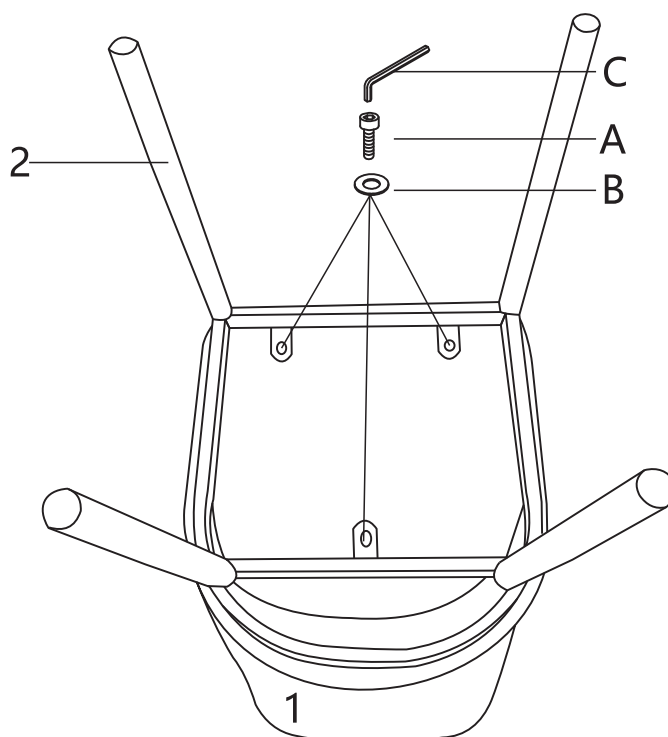
B X 3 PCS



C X 1 PC



1



2

