

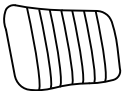






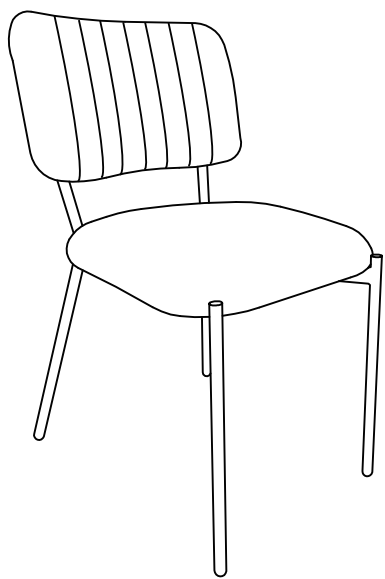


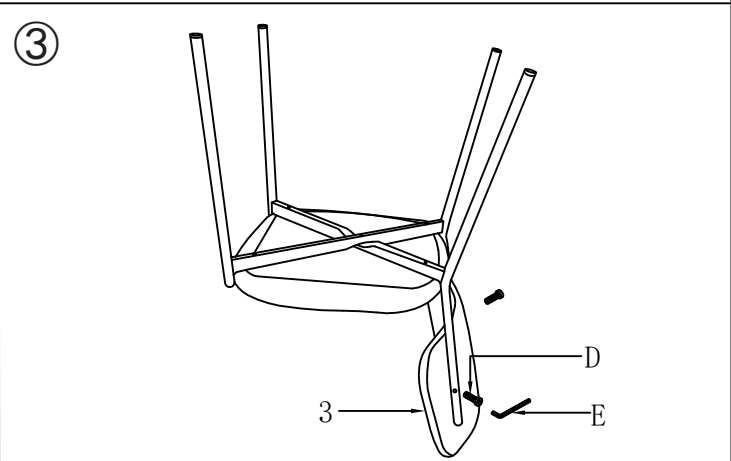
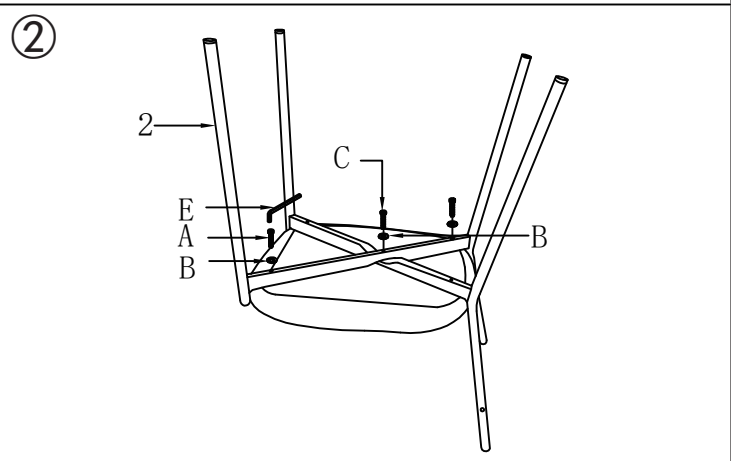
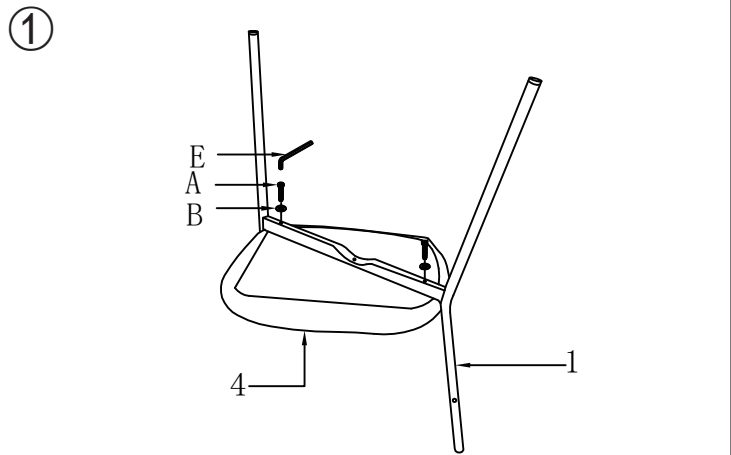


1		1	2		1	3		1
4		1						
A	 M6*45mm	4	B	 M6*16*1.5mm	5	C	 M6*30mm	1
D	 M6*35mm	2	E		1			




x1


0:10



EAC

—
—
—
—
—
—
—
—
—
—
—