

ASSEMBLY INSTRUCTION



MODEL : 1036C

Read this instruction carefully. Remove all wrapping material, staples and straps from the carton. See hardware and furniture part list for guidance. Be sure you have all wooden furniture parts on a clean and flat soft surface, such as a carpet or rug, to prevent from being scratched. Follow the figure to start assembling.

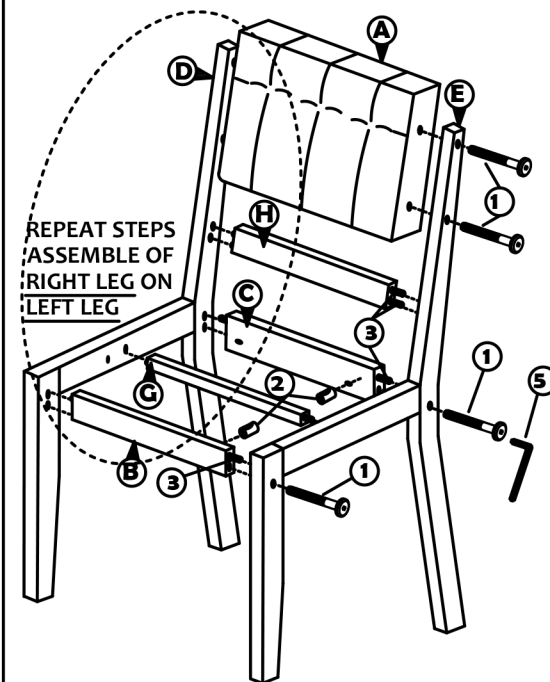
CAUTION :

1. Do not FULLY - TIGHTEN the nut or screw until all is ready to assemble.
2. Do not OVER - TIGHTEN the nut or screw to avoid causing damages to the thread.
3. Keep all hardware part out reach of children.

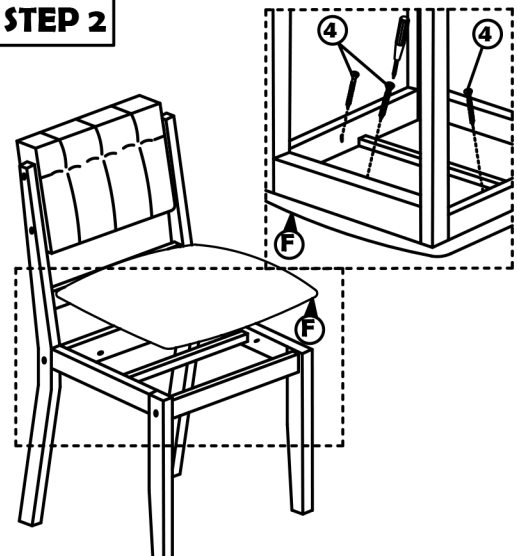
NO	PART LIST	QTY
A	BACK CUSHION	1 PC
B	FRONT RAIL	1 PC
C	BACK RAIL	1 PC
D	LEFT LEG	1 PC
E	RIGHT LEG	1 PC
F	CUSHION SEAT	1 PC
G	CENTER SUPPORT	1 PC
H	BACK REST	1 PC

NO	DESCRIPTION	QTY
1	JCBC SCREW M6 X 50MM 	8 PCS
2	BARREL NUT 	4 PCS
3	WOOD DOWEL Ø8 x 30MM 	8 PCS
4	CSK SCREW M4 x 30MM 	3 PCS
5	M4 ALLEN KEY 	1 PC

STEP 1



STEP 2



STEP 3

