

ASSEMBLY INSTRUCTION

MODEL : RH7208T

Read this instruction carefully. Remove all wrapping material, staples and straps from the carton. See hardware and furniture part list for guidance. Be sure you have all wooden furniture parts on a clean and flat soft surface, such as a carpet or rug, to prevent from being scratched. Follow the figure to start assembling.

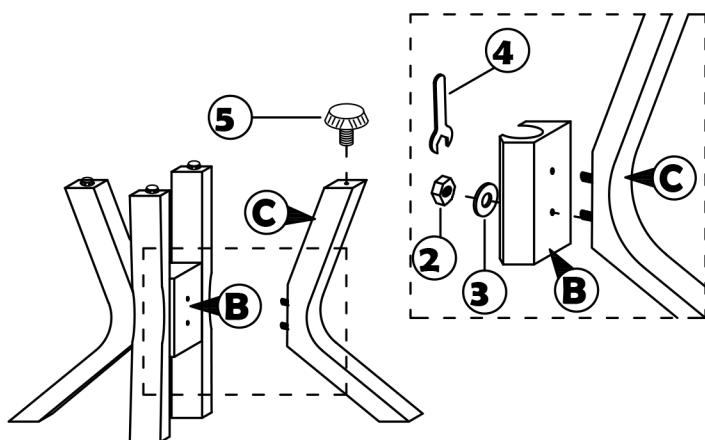
CAUTION :

1. Do not FULLY - TIGHTEN the nut or screw until all is ready to assemble.
2. Do not OVER - TIGHTEN the nut or screw to avoid causing damages to the thread.
3. Keep all hardware part out reach of children.

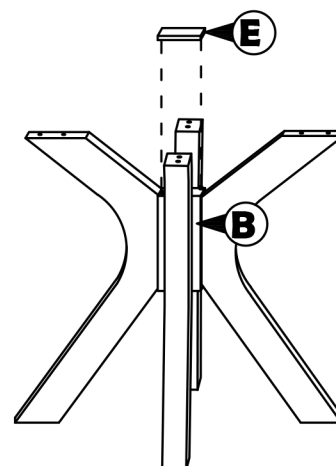
NO	PART LIST	QTY
A	TABLE TOP	1 PC
B	PEDESTAL TABLE CENTER	2 PCS
C	PEDESTAL LEGS	4 PCS
D	CROSS BAR 'X'	2 PCS
E	BOX COVER	1 PC

NO	DESCRIPTION	QTY
1	CSK SCREW M4 x 30MM	16 PCS
2	HEX.NUT 5/16"	8 PCS
3	FLAT WASHER 5/16"	8 PCS
4	SPANNAR 12.8MM	1 PC
5	ADJUSTER LEGS	4 PCS

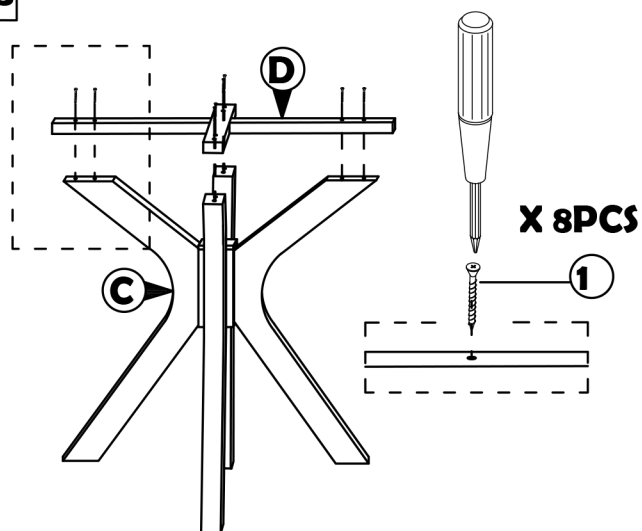
STEP 1



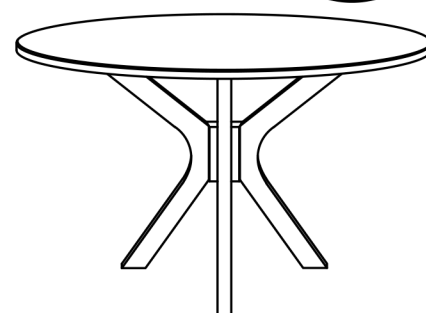
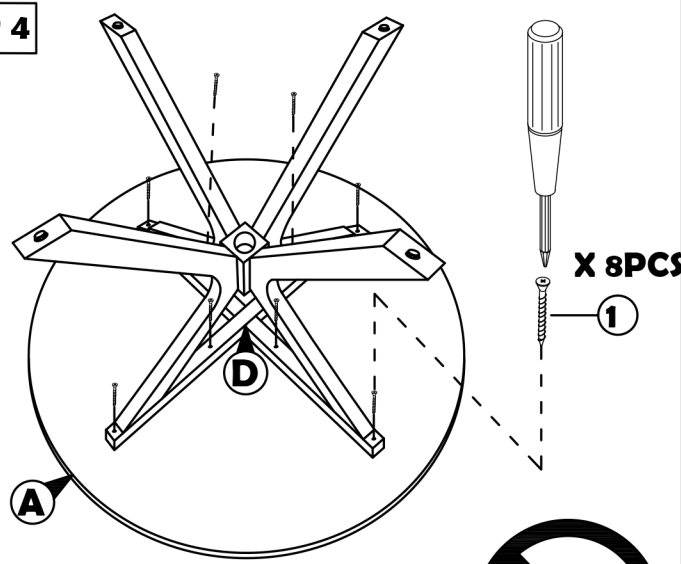
STEP 2



STEP 3



STEP 4



COMPLETE ASSEMBLE