
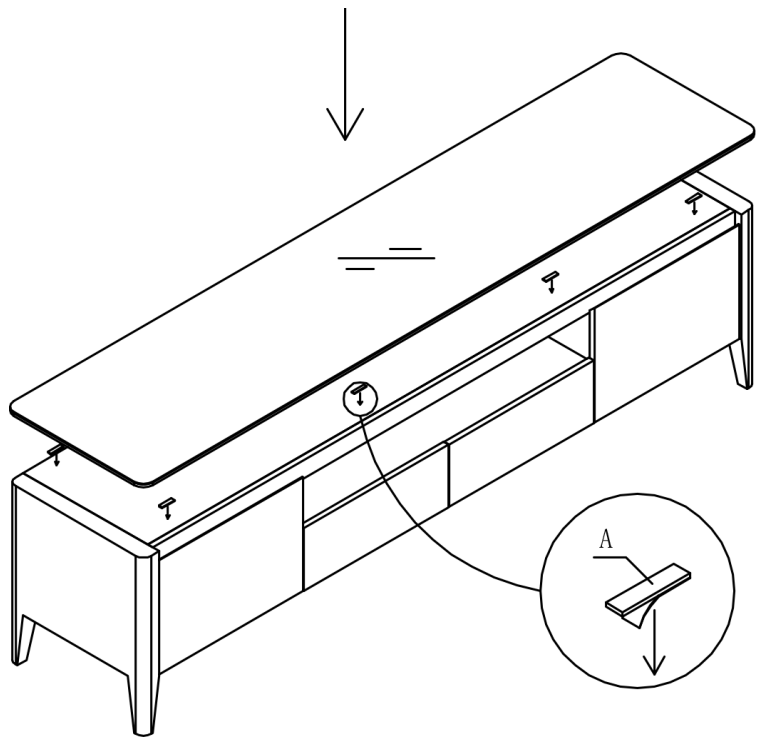


SETTING FITTINGS						
FITTINGS		SPEC.	AMOUNT	FITTINGS	SPEC.	AMOUNT
A		50x10x1	8pcs			

**FIG.**  
**1**



**FIG.**  
**2**

