

A		5mm	1	B		M8*25	10
---	---	-----	---	---	---	-------	----

FIG.
1

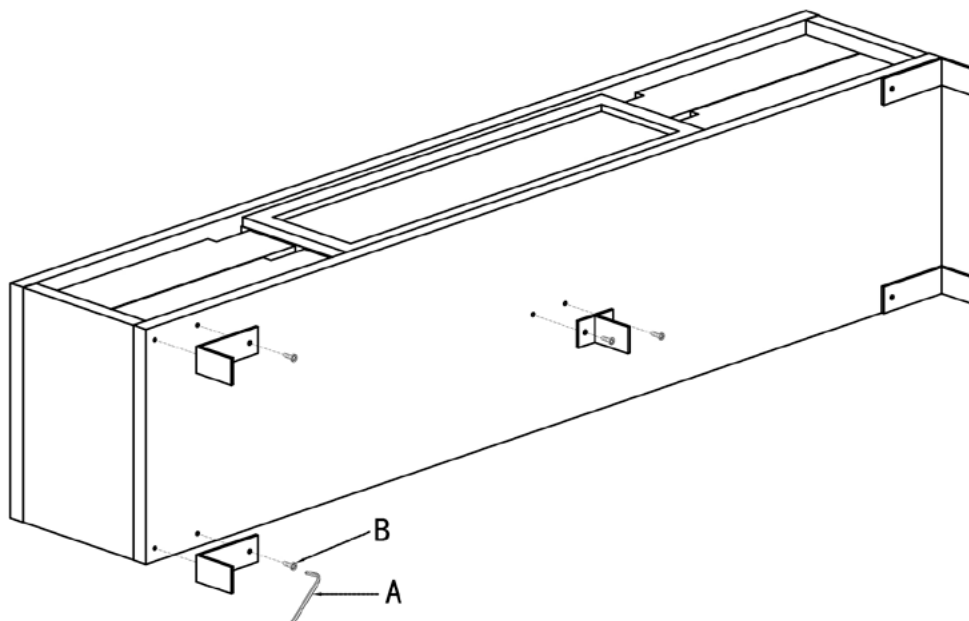


FIG.
2

