

# ASSEMBLY INSTRUCTION

6047-KF1016-3P-1780






SETTING FITTINGS								
FITTINGS	SPEC.	AMOUNT	FITTINGS	SPEC.	AMOUNT	FITTINGS	SPEC.	AMOUNT
A		4 pcs	B		1 pcs	C		4 pcs

FIG. 1

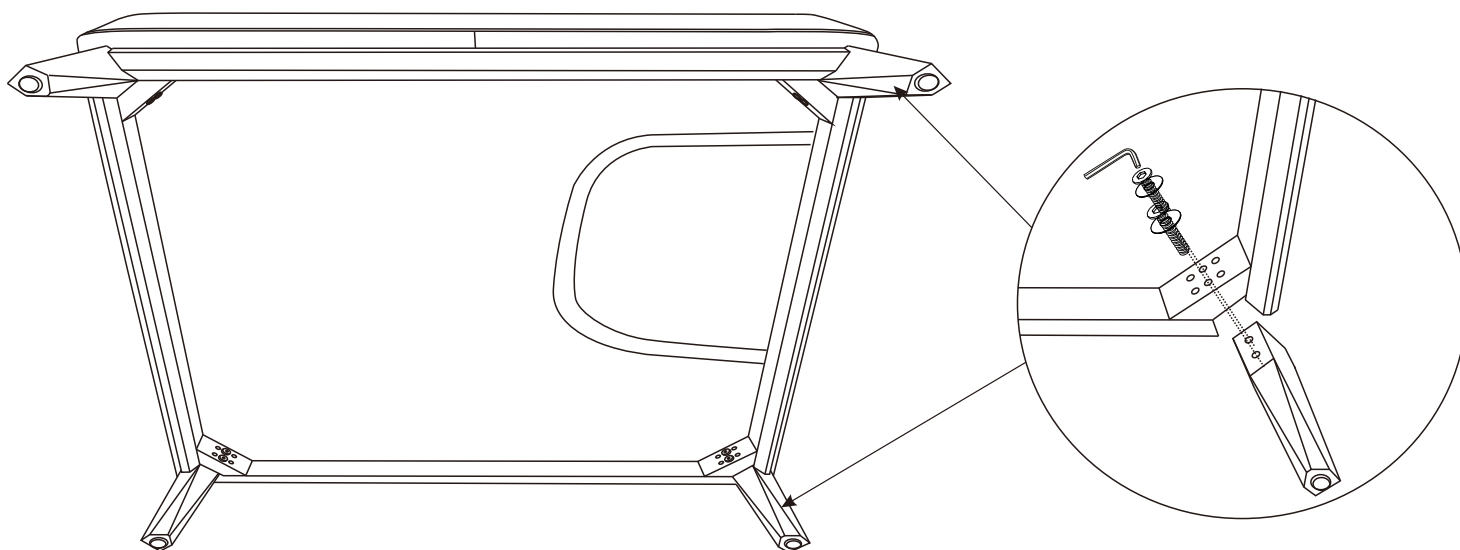


FIG. 2

