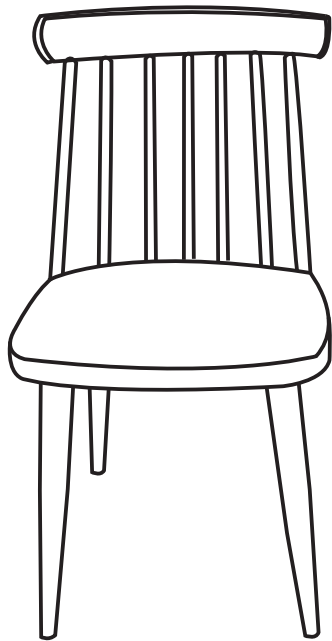
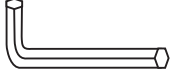
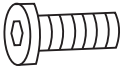




Assembly Instruction



A		x1
B		x4
C		x4
D		x4

