




A		5mm	1	B		M8*45	8
C		∅20 (∅12.5)*18	8	D			

FIG.
1

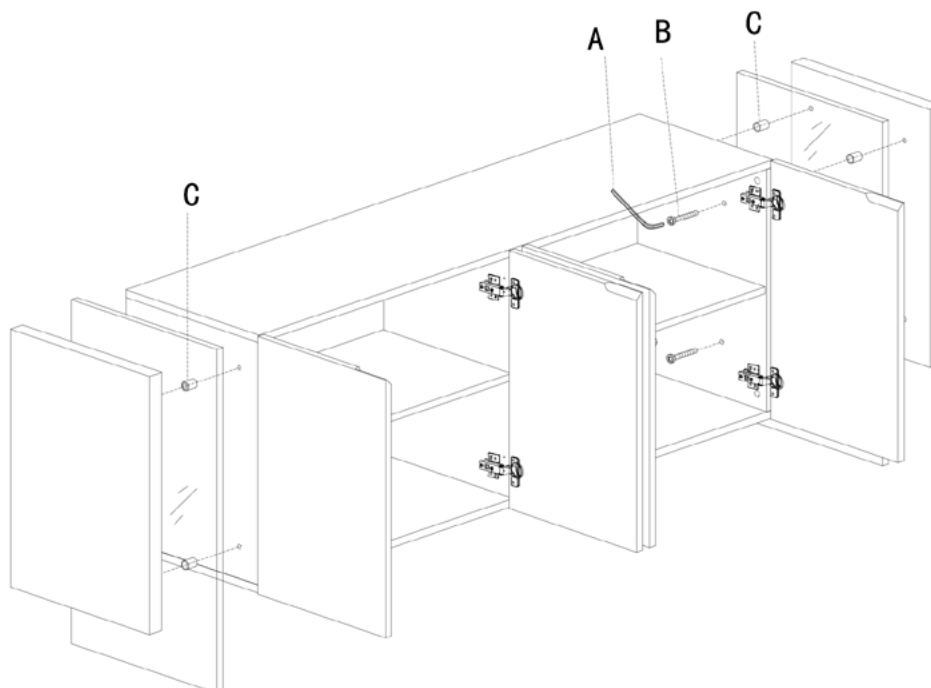


FIG.
2

