




| SETTING FITTINGS | | | | | | | | |
|------------------|---|--------|----------|---|--------|----------|---|--------|
| FITTINGS | SPEC. | AMOUNT | FITTINGS | SPEC. | AMOUNT | FITTINGS | SPEC. | AMOUNT |
| A |  | 4 pcs | B |  | 1 pcs | C |  | 1 pcs |

FIG.
1

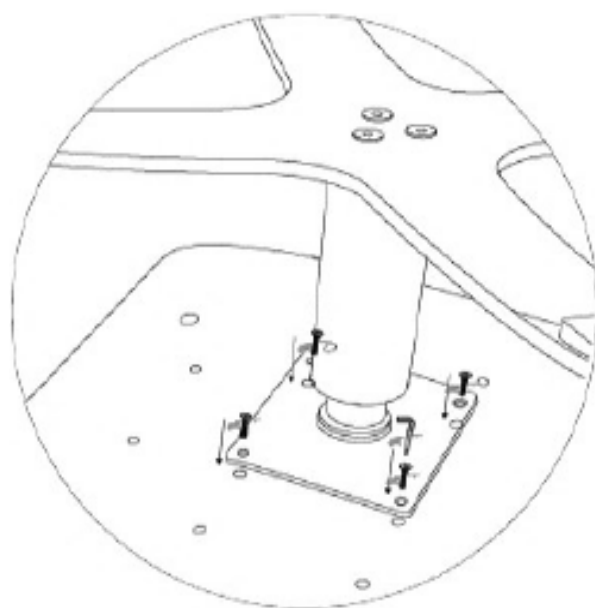


FIG.
2

