
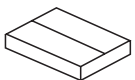


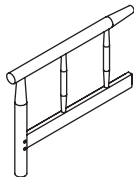


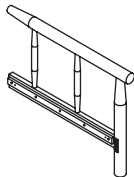


Kave® Cares

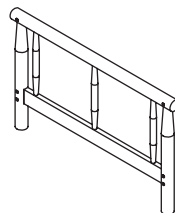
			
20 min	x1	x2	x1



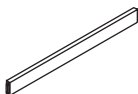
**A** x1



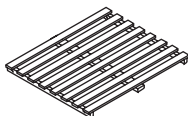
**B** x1



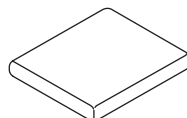
**C** x1



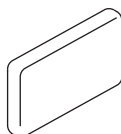
**D** x1



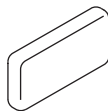
**E** x1



**F** x1



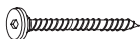
**G** x1



**H** x2



**I** x1  
4mm



**J** x10  
ø7x90mm

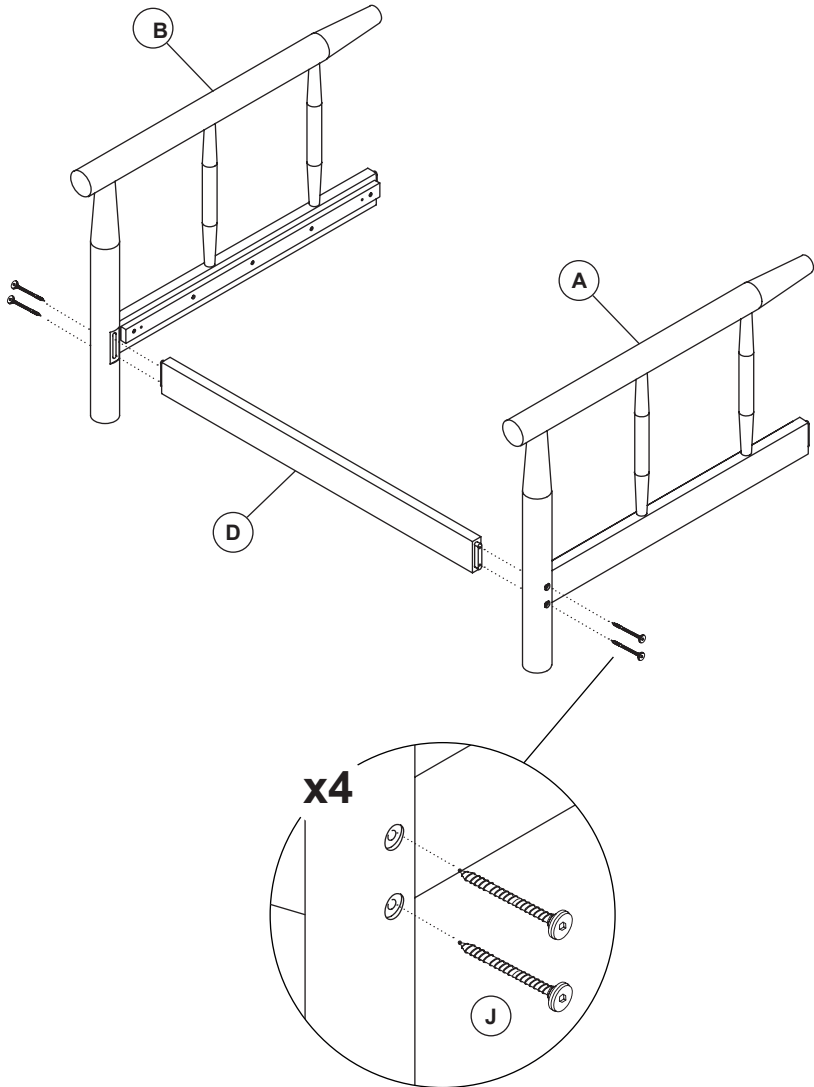


**K** x4  
ø7x45mm

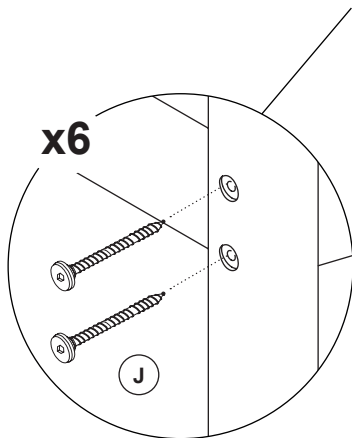
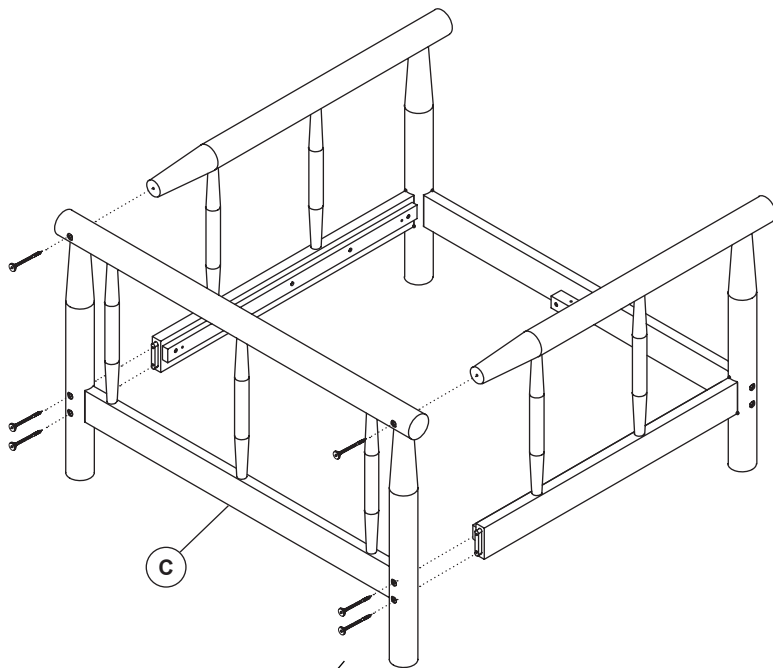


**L** x2  
ø4x40mm

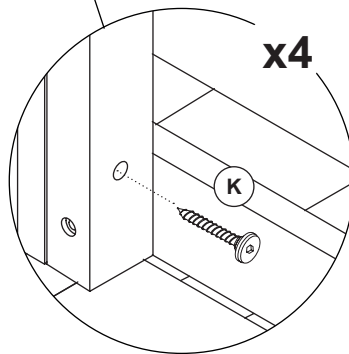
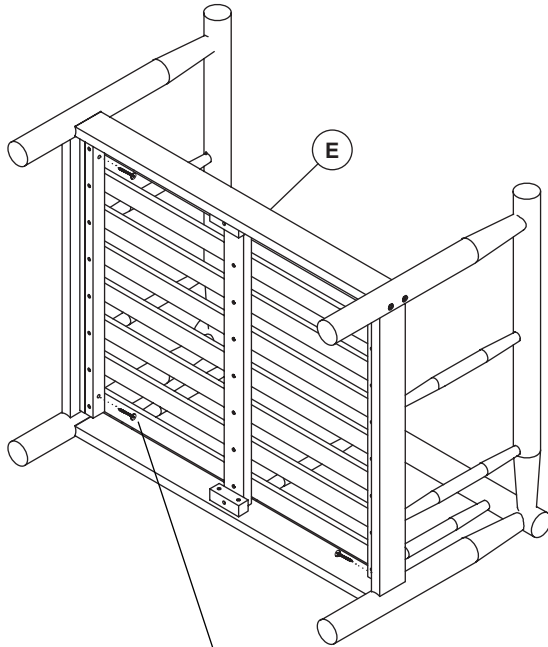
1



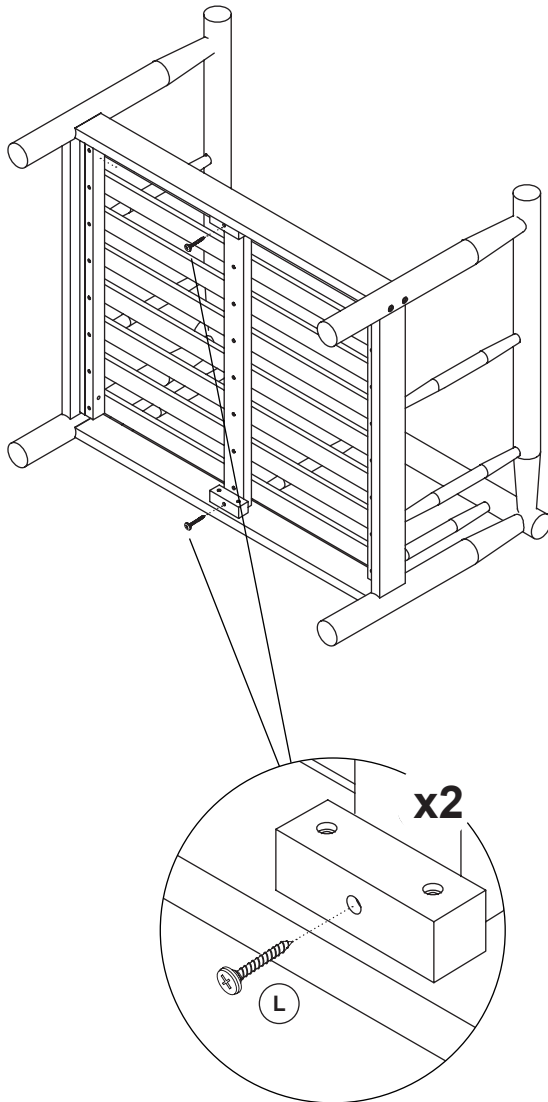
2



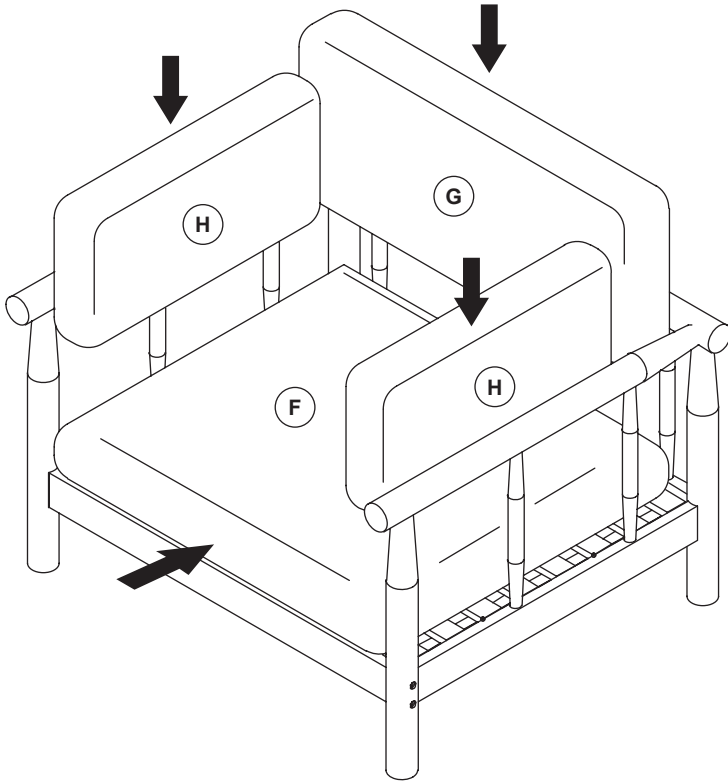
3



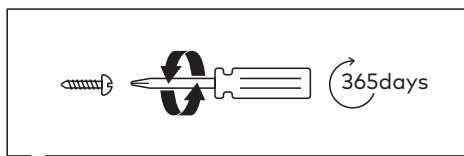
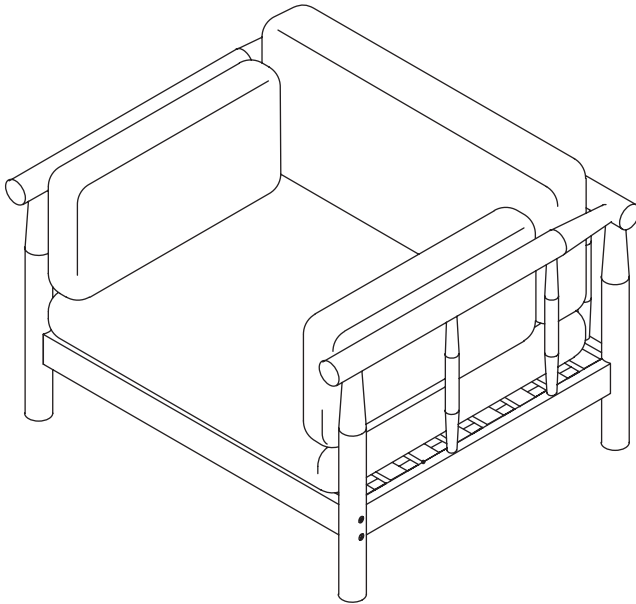
4



5













**THAT'S ALL FOLKS**

Share your style!

#KaveHome

