
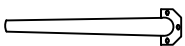
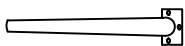
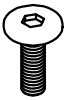


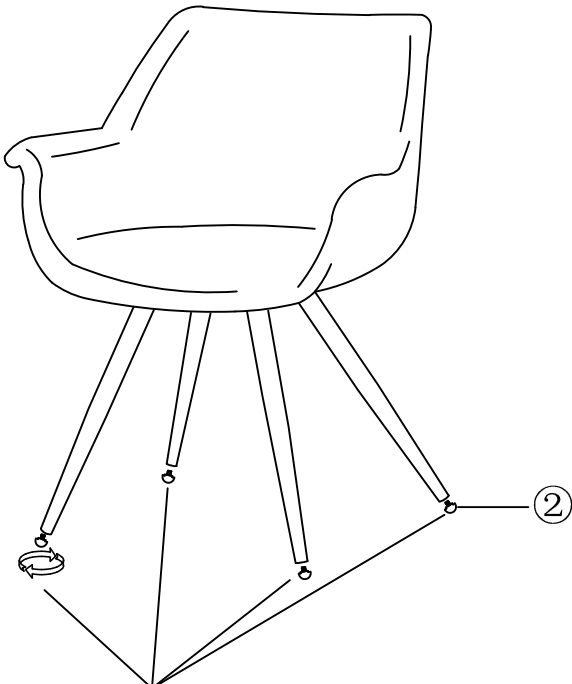
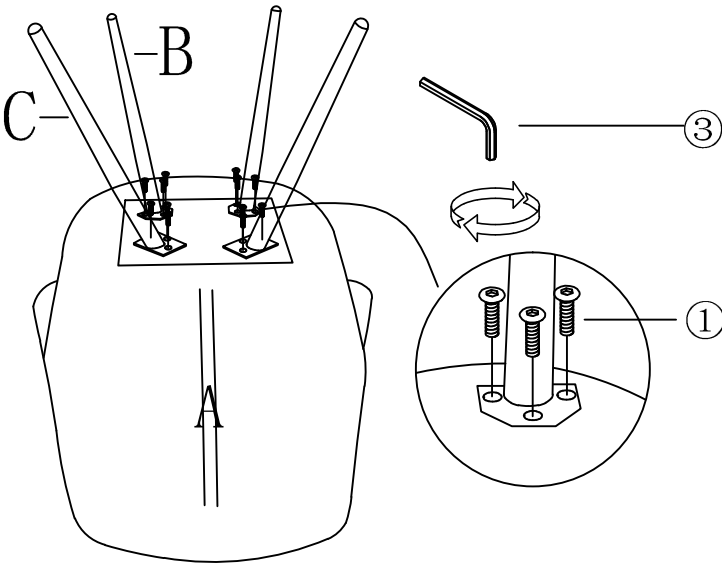


<p>A</p>  <p>1PC M6*16</p>	<p>B</p>  <p>2PCS</p>	<p>C</p>  <p>2PCS M5</p>		
<p>①</p>  <p>12PCS</p>	<p>②</p>  <p>4PCS</p>	<p>③</p>  <p>1PC</p>		



FASTEN/LOOSE THE PAD TO MAKE IT EVEN IF NEEDED

