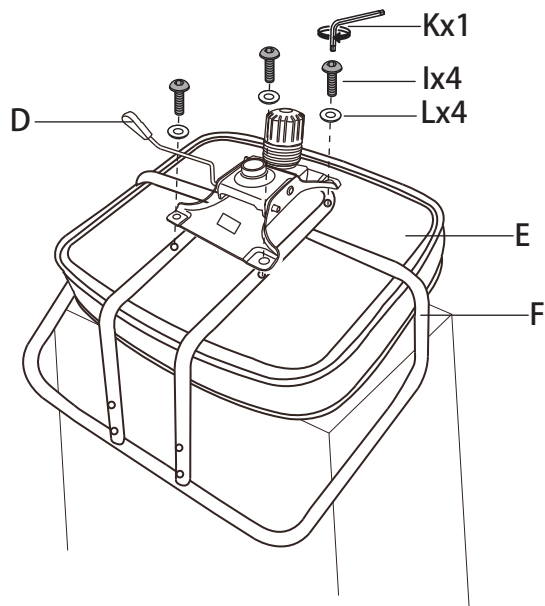
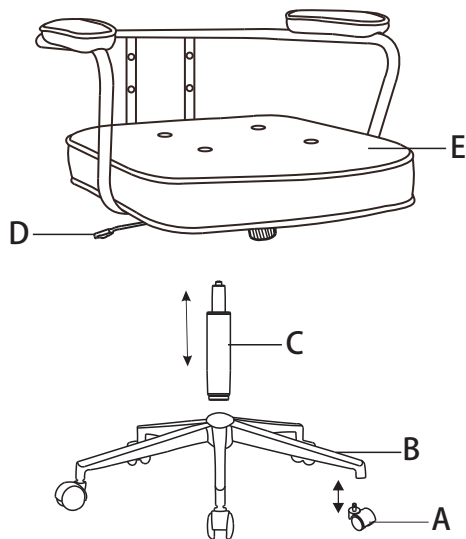


SY-017

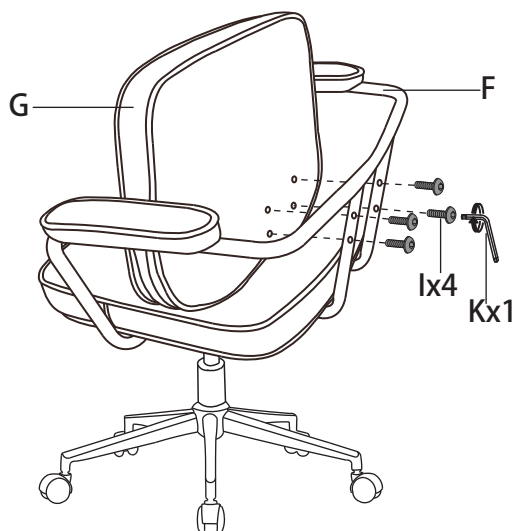
1



2



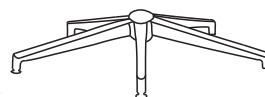
3



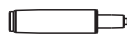
Ax5



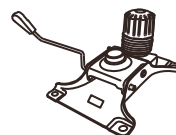
Bx1



Cx1



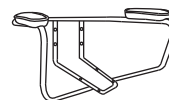
Dx1



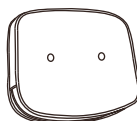
Ex1



Fx1



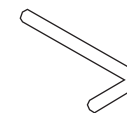
Gx1



lx8 (M6\*35)



Kx1 (M5)



Lx4

