











SETTING FITTINGS							
FITTINGS	SPEC		AMOUNT	FITTINGS	SPEC		AMOUNT
A		$\phi 15 \times 34$	8PCS	B		$\phi 8 \times 30$	2PCS
C		$\phi 30$	4PCS	D		M8*30	4PCS
E		$\phi 60 \times 25$	4PCS	F		M8*90	2PCS
G		M8*150	4PCS	H		M8	4PCS
I		$\phi 20 \times \phi 10 \times 2$	6PCS	J		5#	1PCS

FIG.
1

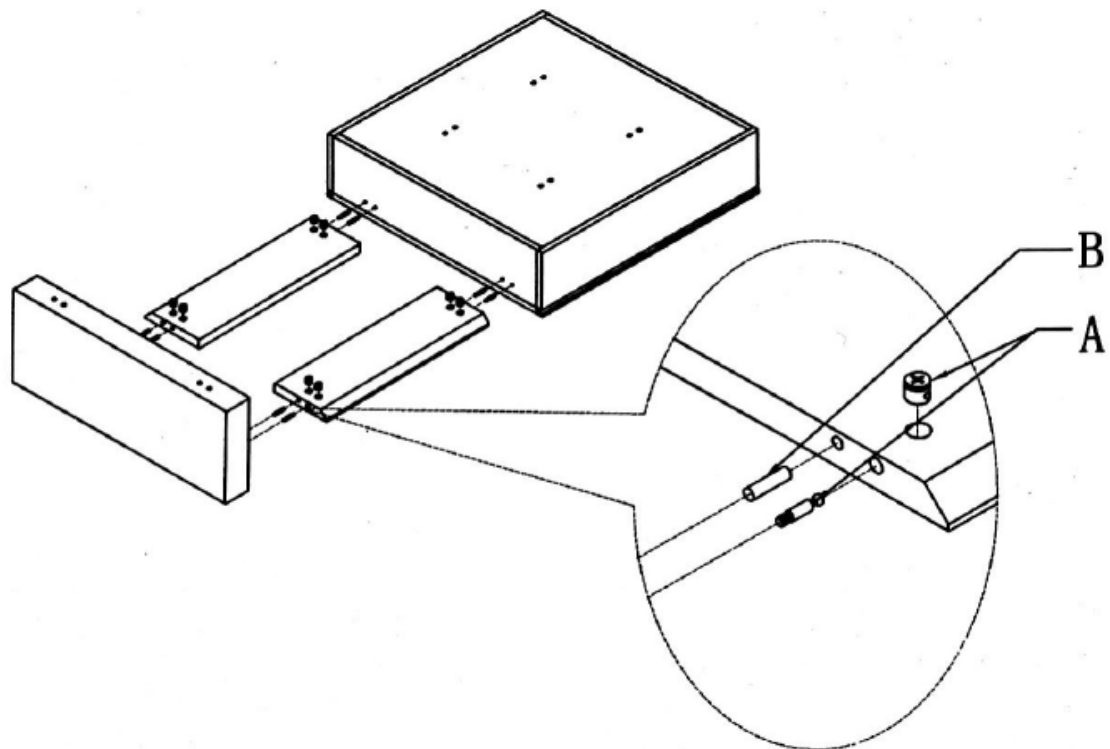


FIG.
2

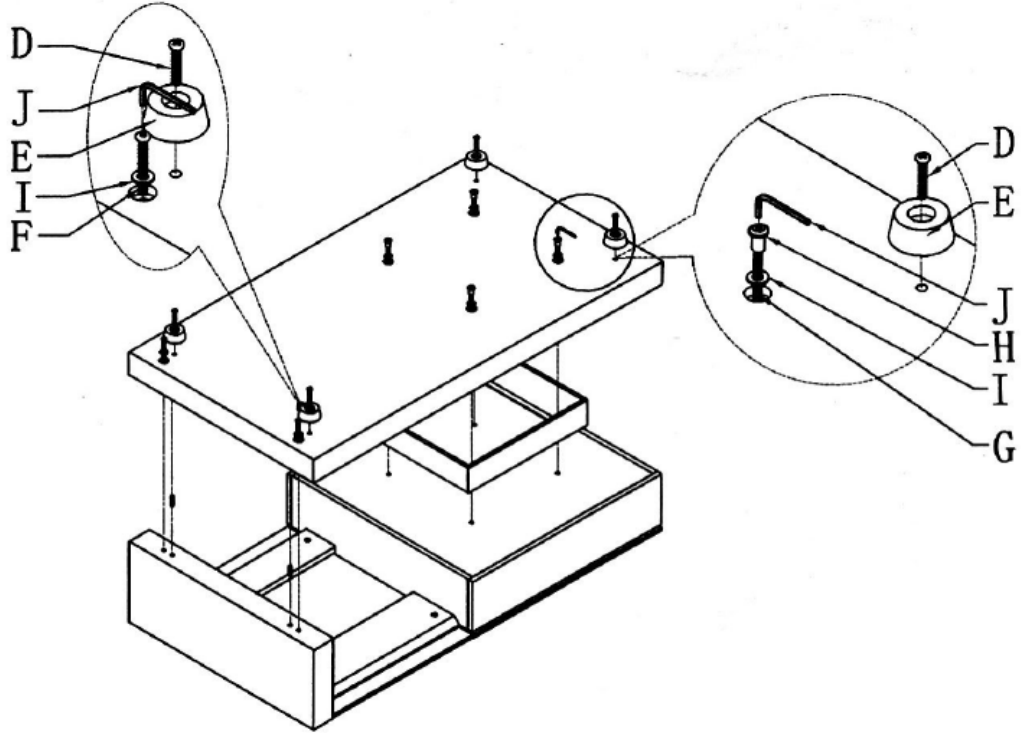


FIG.
3

