

 x4  x8  x1  x3  x3

FIG.
1

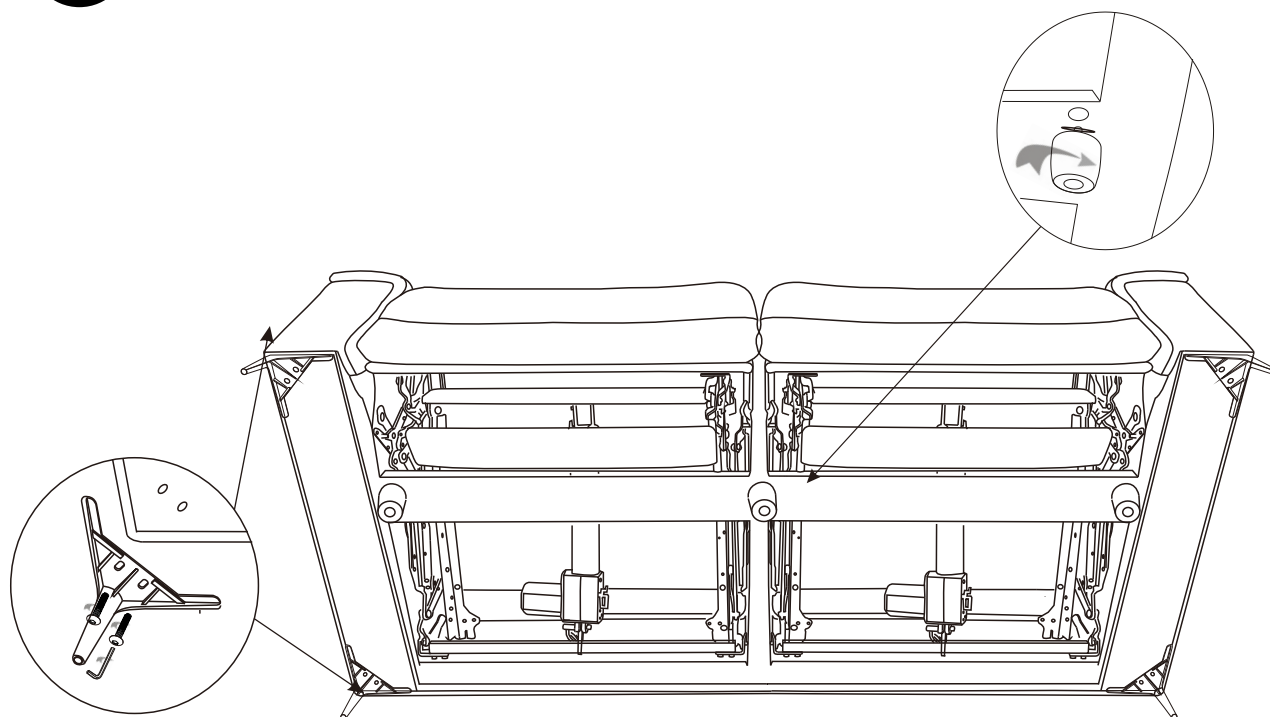


FIG.
2

