







SETTING FITTINGS					
FITTINGS	SPEC.	AMOUNT	FITTINGS	SPEC.	AMOUNT
A	 $\Phi 15$	16pcs	B	 $\Phi 8 \times 30$	8pcs
C	 $\Phi 17 \times \Phi 8 \times 2$	4pcs	D	 $\Phi 12 \times 12$	4pcs
E		1pcs			
G	 M8x260	4pcs			

FIG.
1

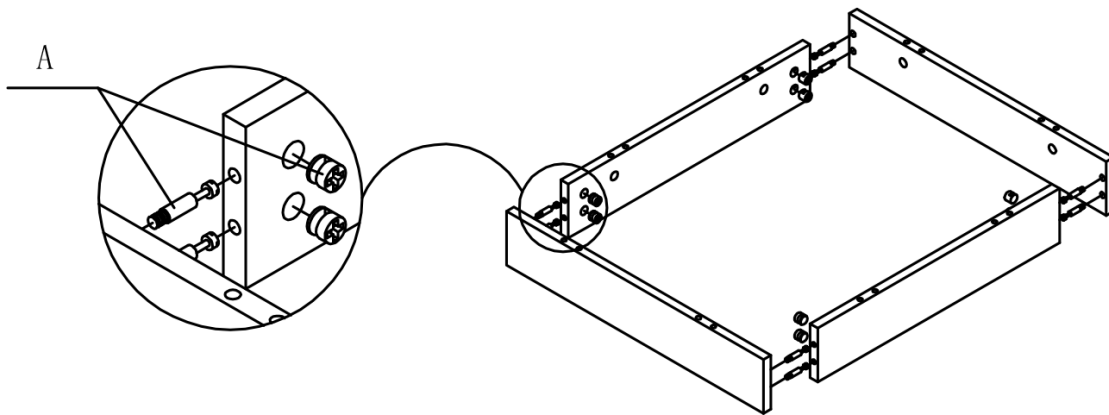


FIG.
2

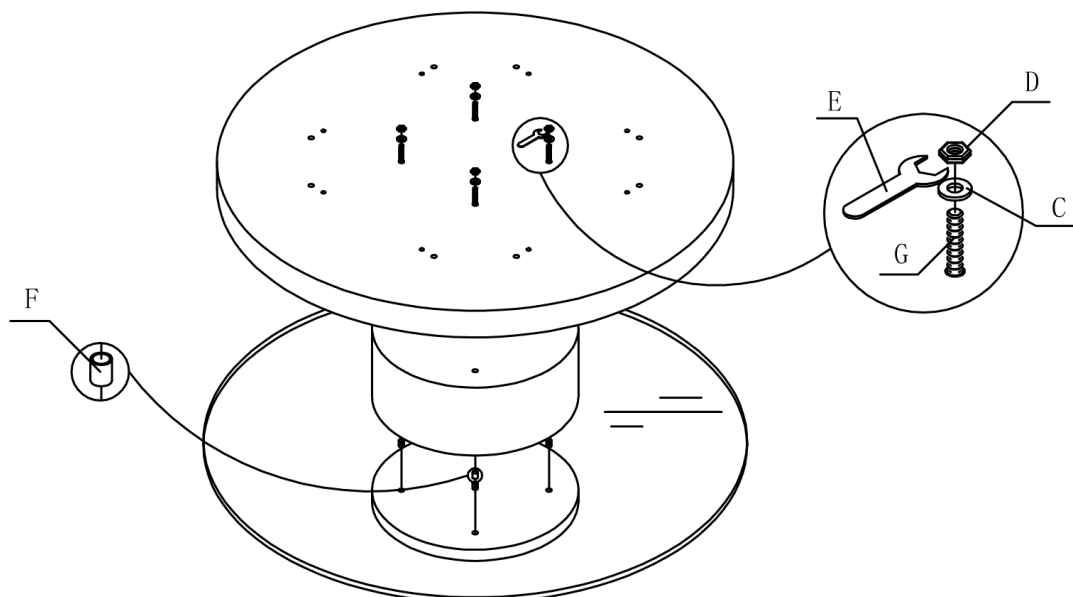


FIG.
3

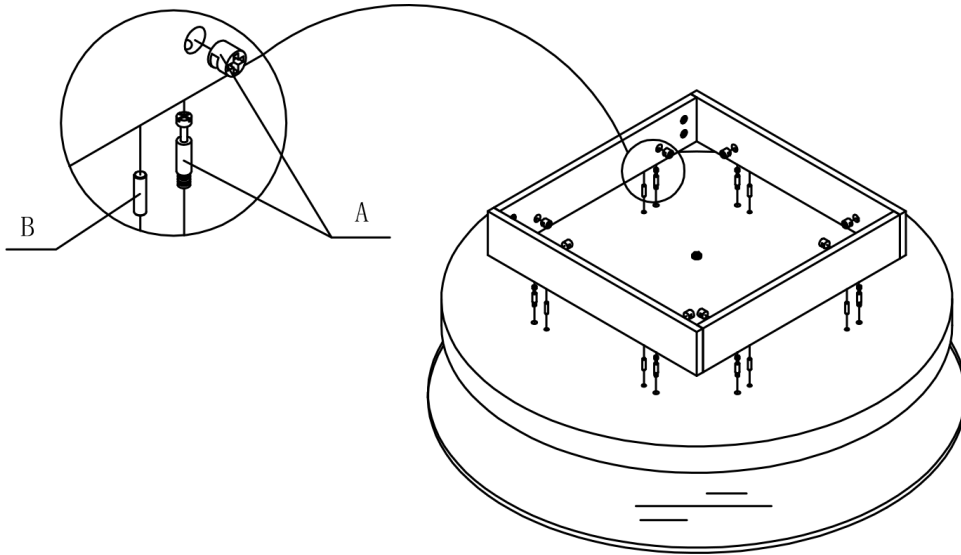


FIG.
4

