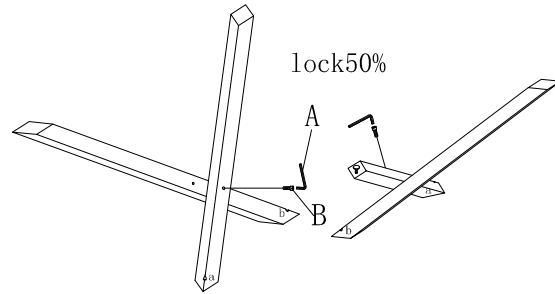
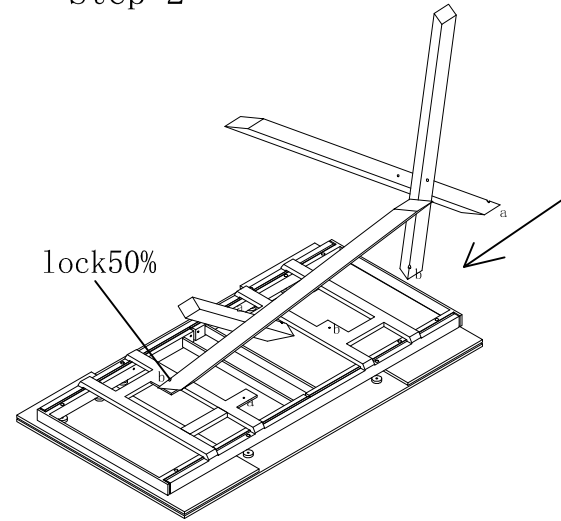


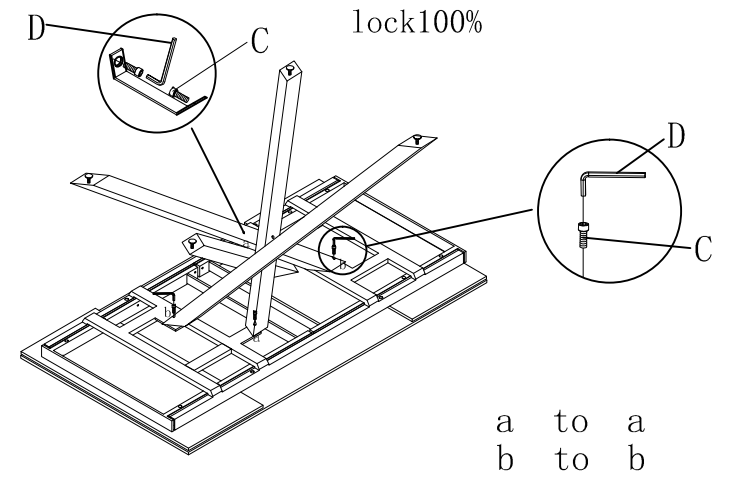
Step 1



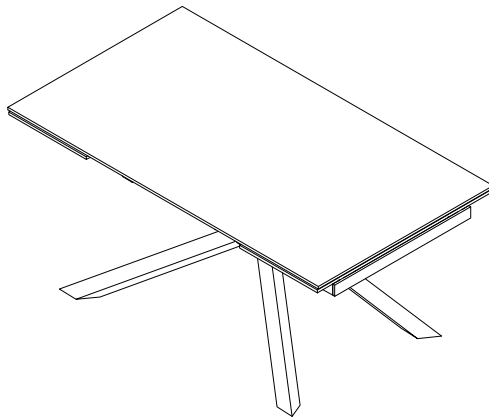
Step 2



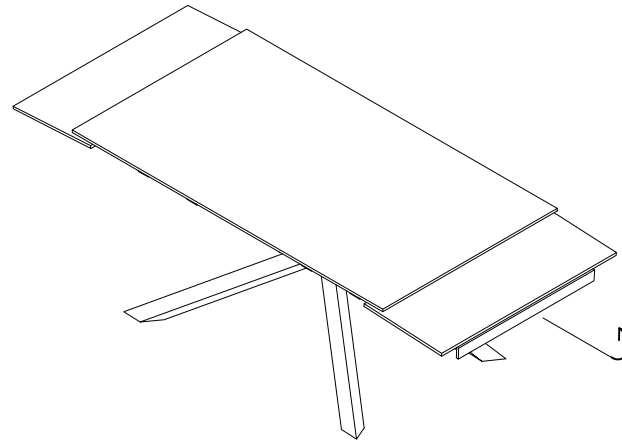
Step 3



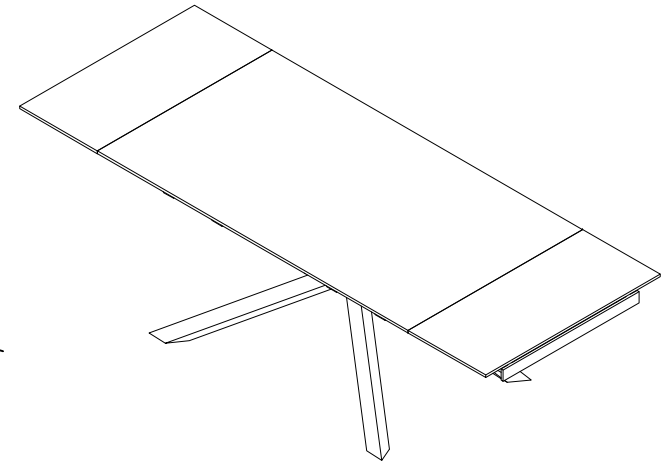
Step 4



Step 5



Finish



DT8882(1400)

NO.	A	B	C	D
TYPE	6#	M8*55	M8*20	5#
QTY	1pc	2pcs	6pcs	1pc