

ASSEMBLY INSTRUCTION



A

B

C

D

E

F



M6*16mm

4PCS



M6*45mm

4PCS



M6*18mm

4PCS



M4

1PC



Ø65*4mm

1PC

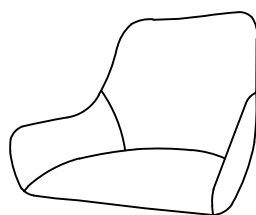


M6*14mm

4PCS



①

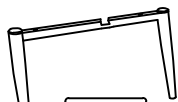


X 1

②



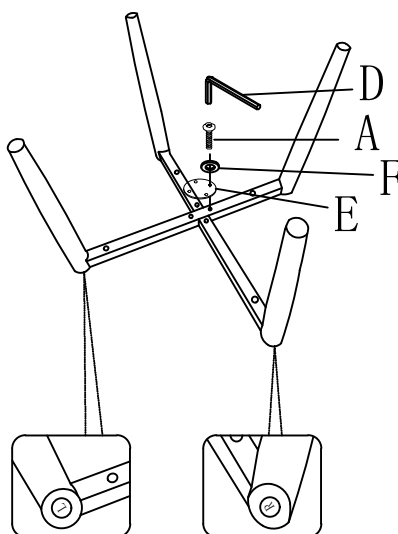
R



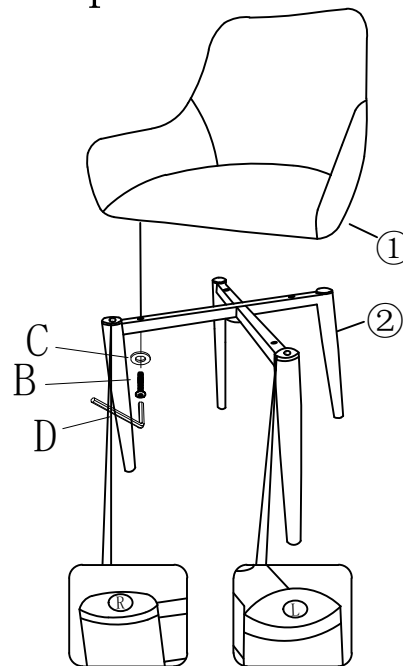
L

X 1

Step:1



Step:2



There is a mark "R", please keep it in the front

There is a mark "L", please keep it in the front

