







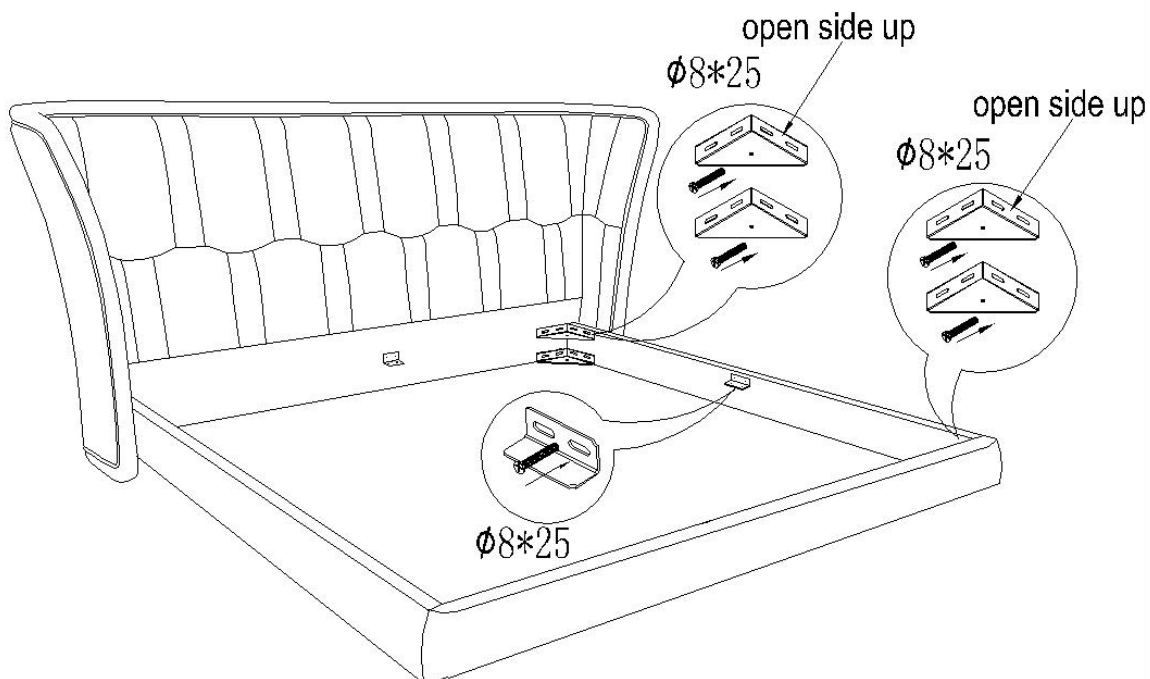


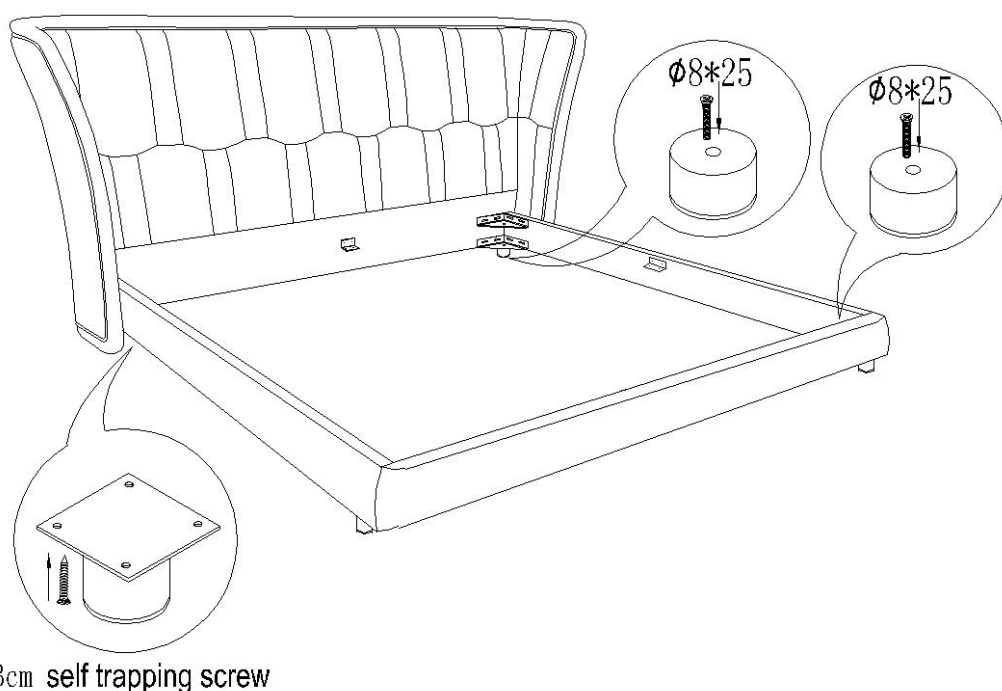
Code No	Name	Photos	size	QTY
1	bed feet		5cm	2
2	bed feet		5cm	4
3	corner connector (open side up )			8
4	Medium support code		100*40	4
5	slat feet		17cm(adjustable)	4
6	gasket			56
7	flat head screw		Ø8*25	56
8	self-trapping screws		3cm	10

**FIG.**  
**1**



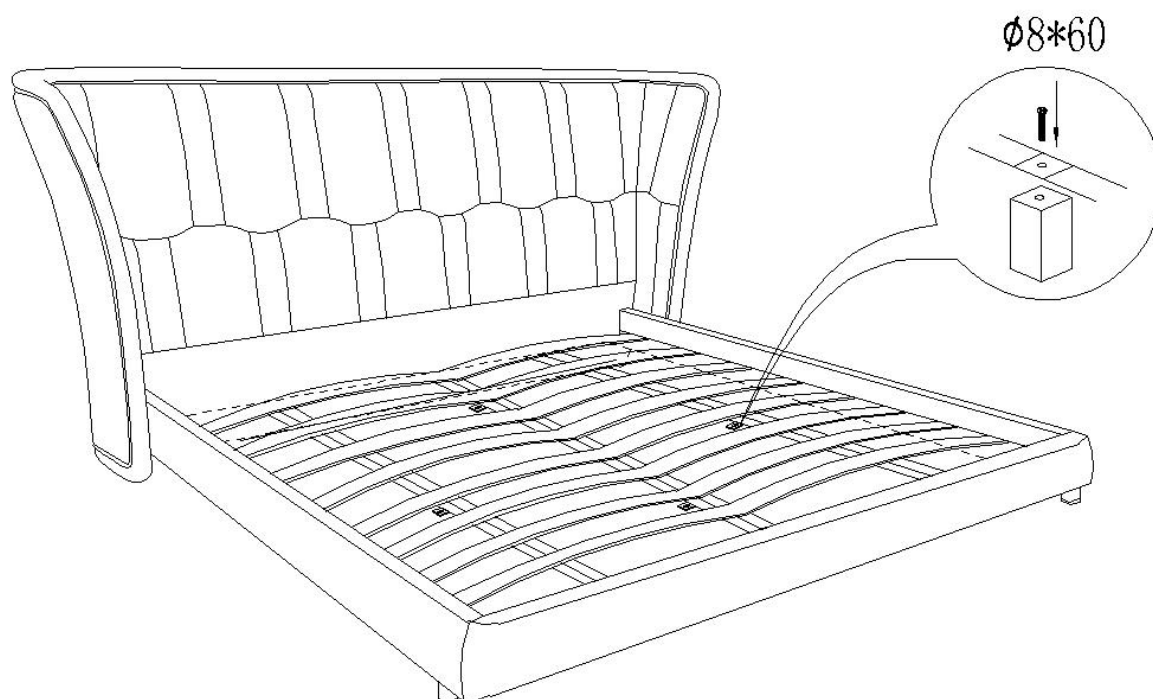
1, prepare headboard, side board, footboard, and all the accessories like photo.  
install like photo.

FIG.  
2



2: install the feet.

FIG.  
3



3: lock the slat feet by 8\*60 flat head screws. put the bed slat on the triangle supporter .