


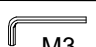
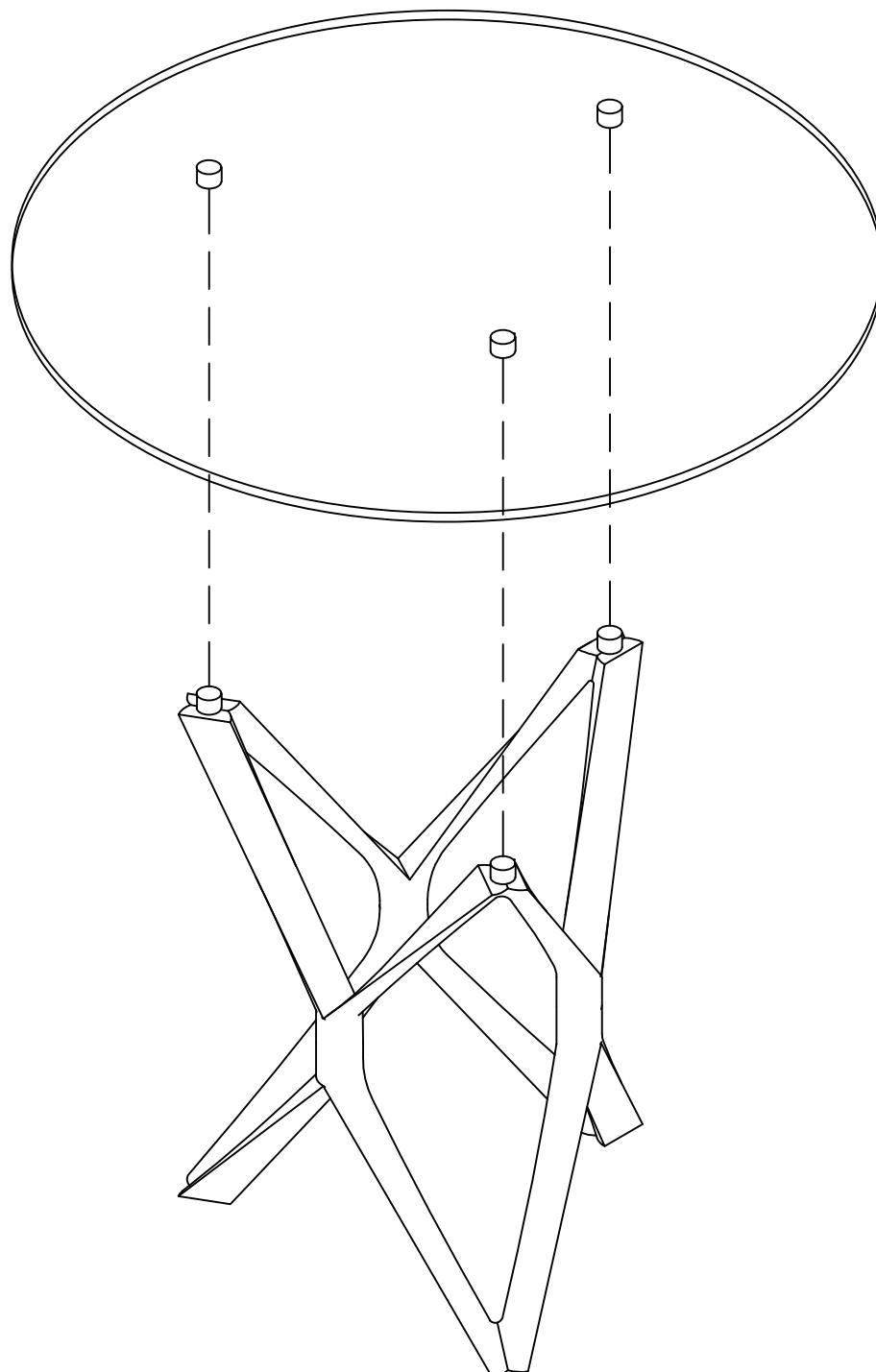
A	B
 M5*8	 M3
3 PCS	1 PC

FIG.
1




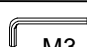
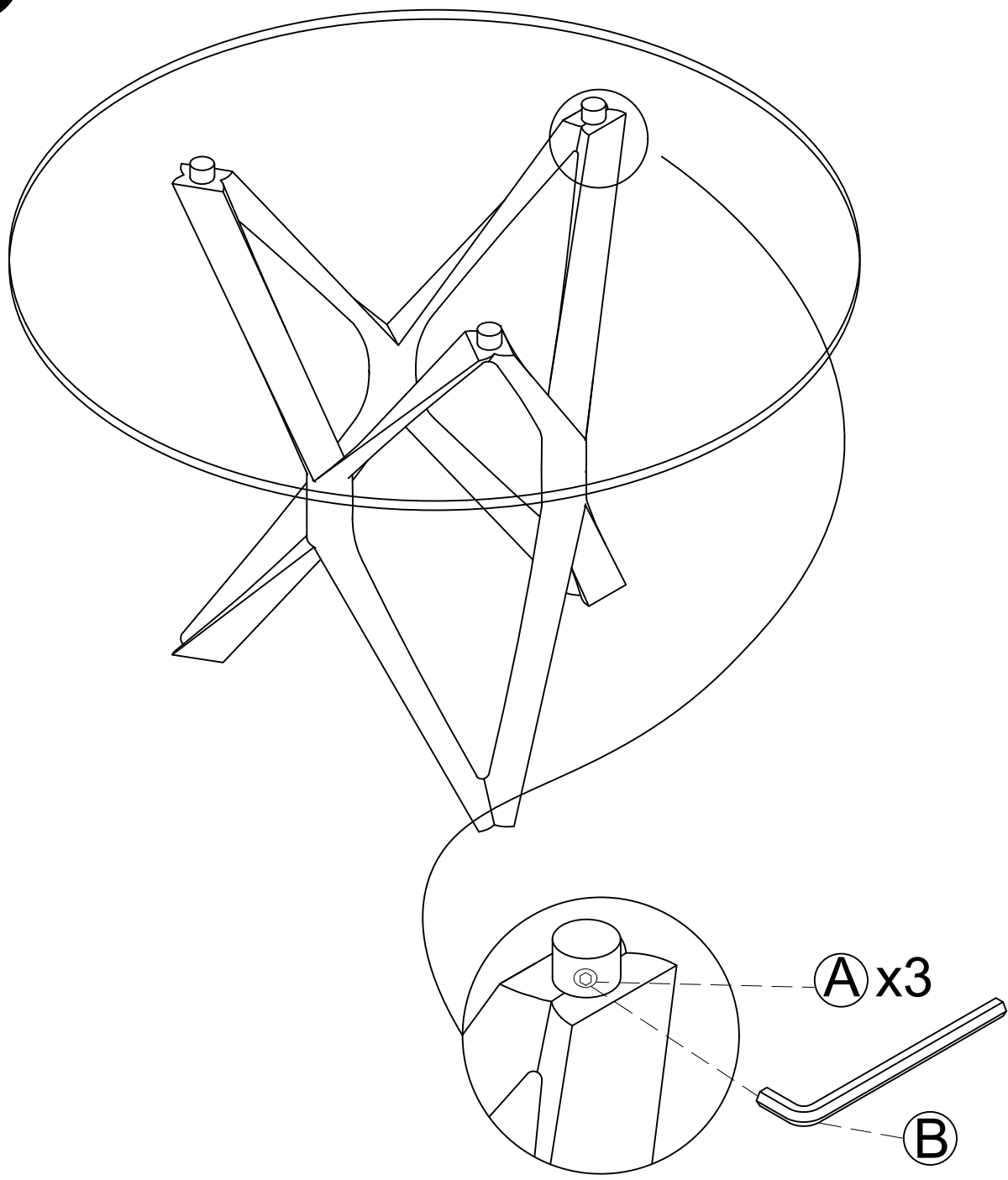
A	B
 M5*8	 M3
3 PCS	1 PC

FIG.
2



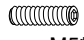
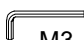
A	B
 M5*8	 M3
3 PCS	1 PC

FIG.
3

