

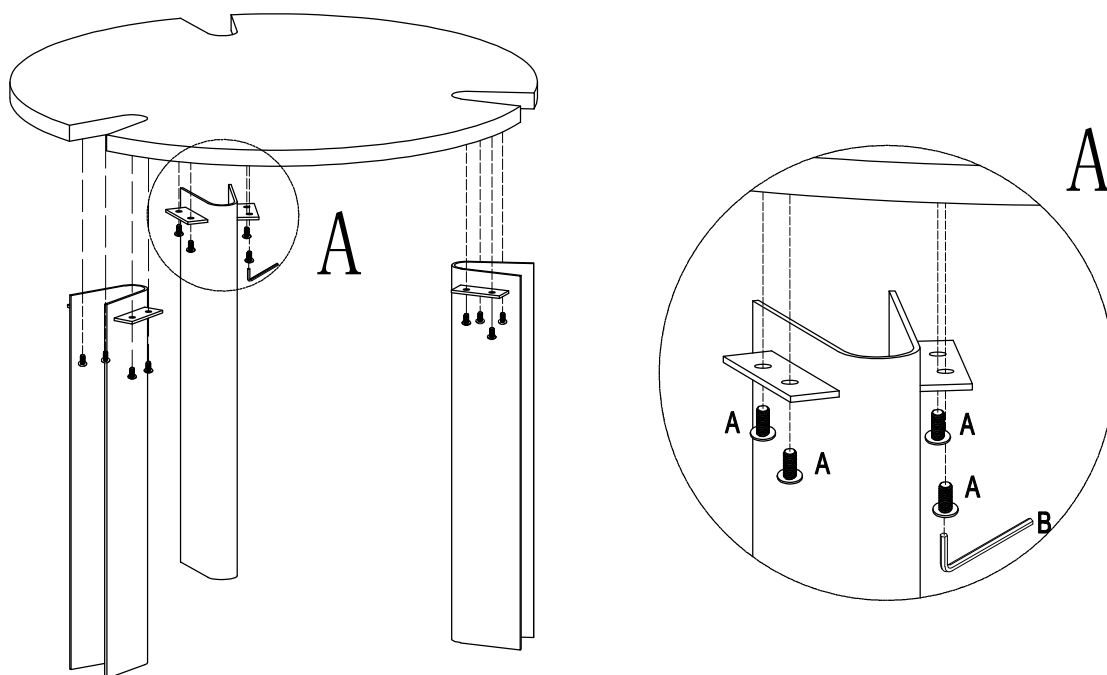


NO.	Design	Size	Qty	NO.	Design	Size	Qty
A		M6*15	12	B		4mm	1

**FIG.**  
**1**



**FIG.**  
**2**

