


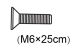
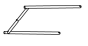


NO.	Design	Size	Qty	NO.	Design	Size	Qty
A		(M6×30cm)	4	B		(M6×25cm)	4
C			1	D			1
E			1				

FIG.
1

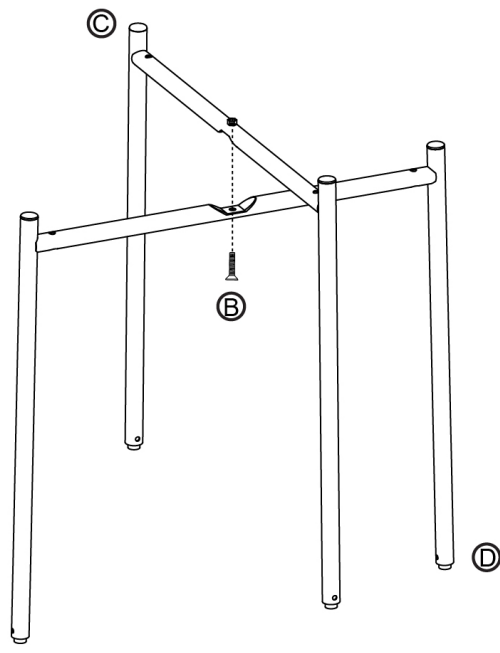
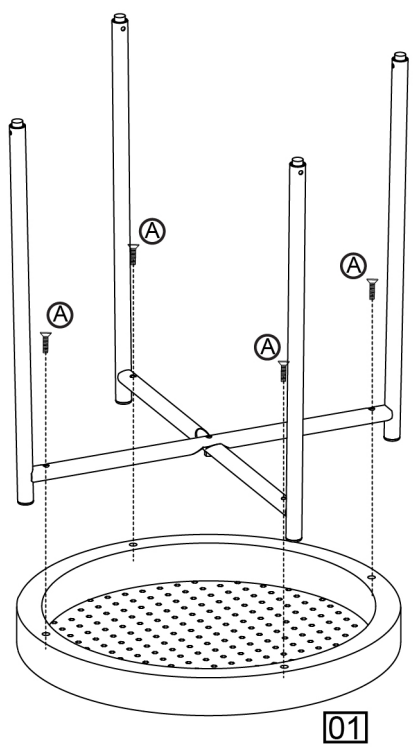


FIG.
2



01

ASSEMBLY INSTRUCTION
2109-TT-S186-2291



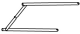


NO.	Design	Size	Qty	NO.	Design	Size	Qty
A		(M6×30cm)	4	B		(M6×25cm)	4
C			1	D			1
E			1				

FIG.
3

