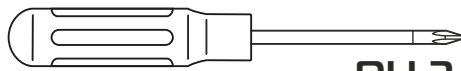
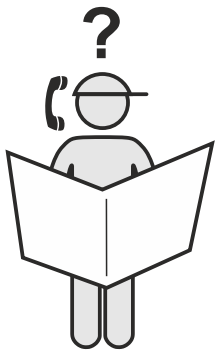
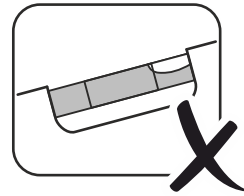
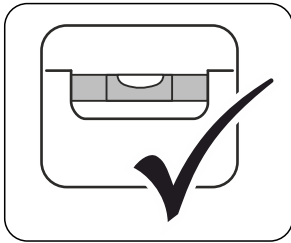
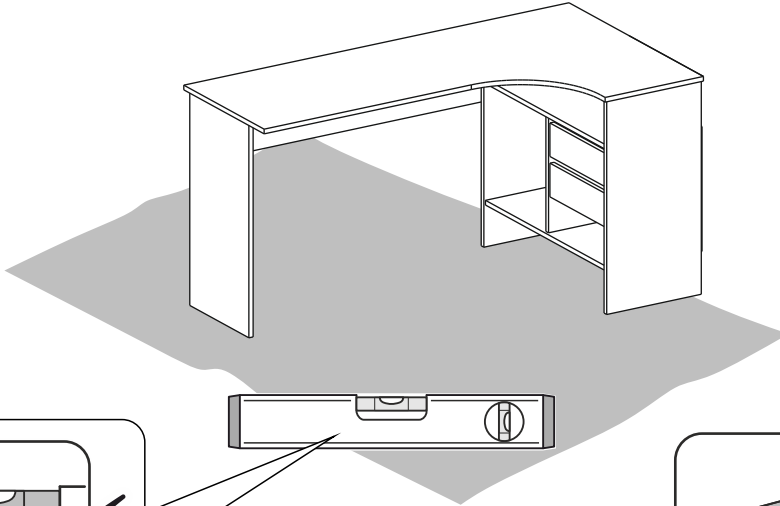
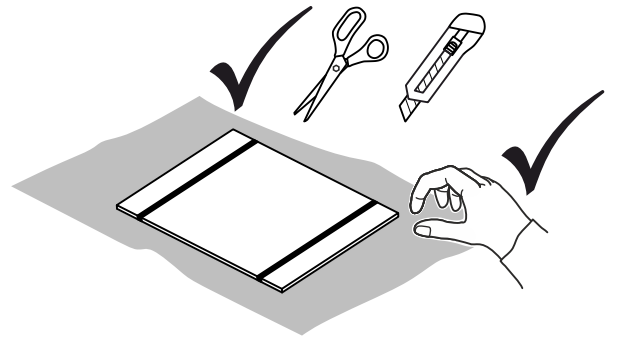
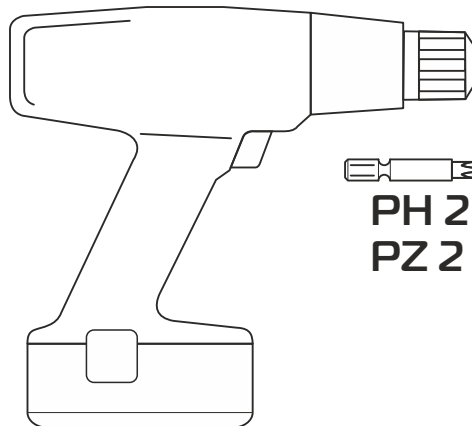
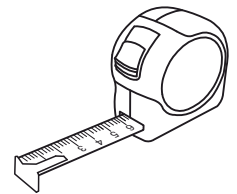
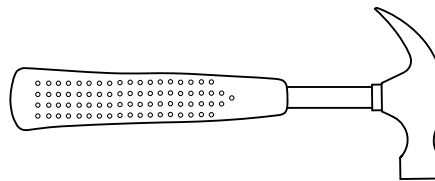
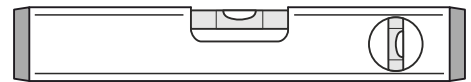


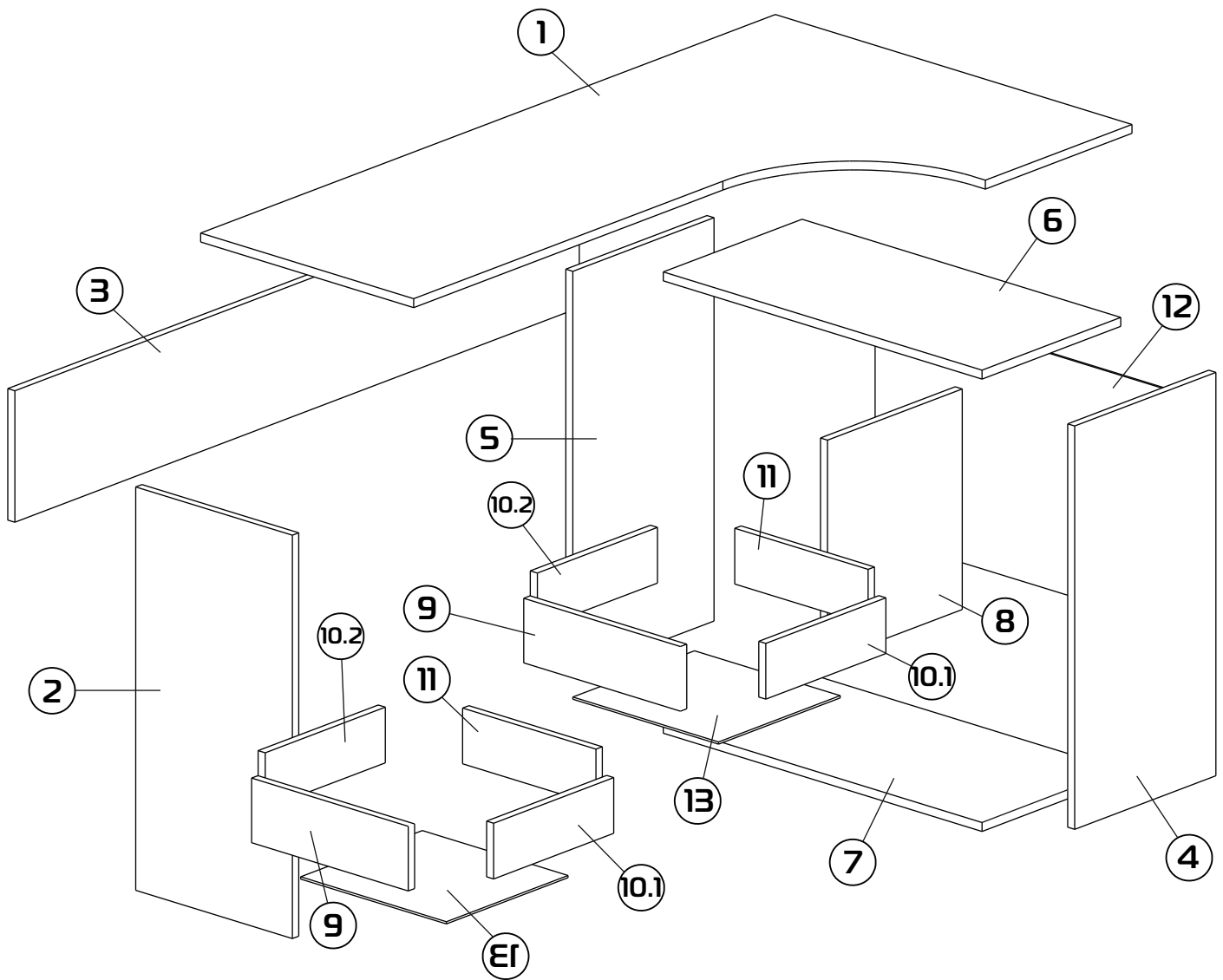
45-60 min



PH 2
PZ 2

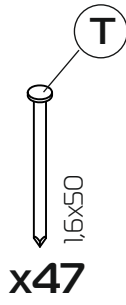
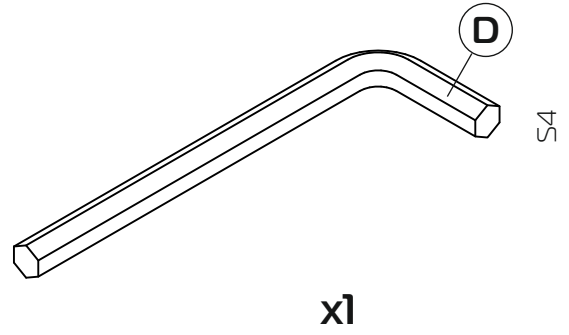
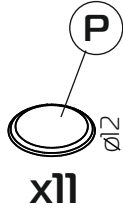
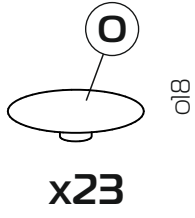
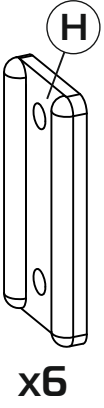
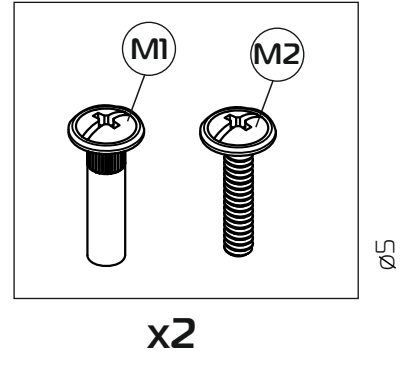
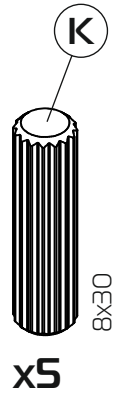
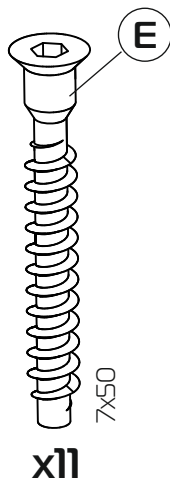
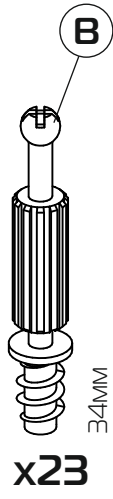
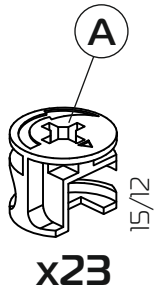


PH 2
PZ 2

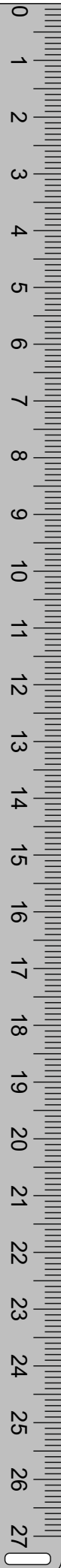
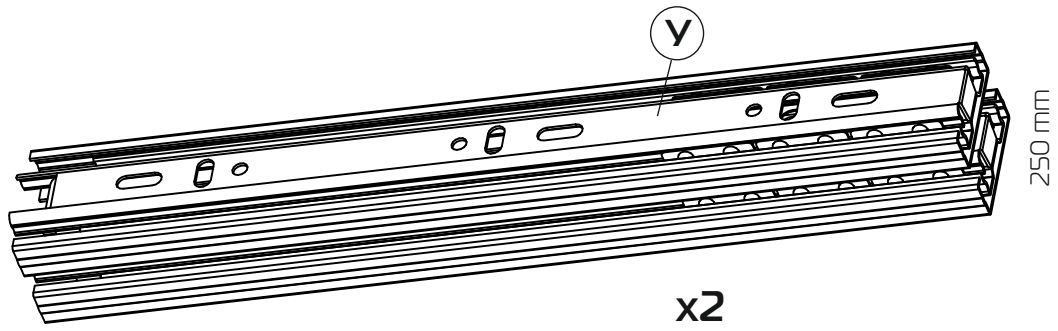


- | | | | |
|---|------------------|-----|-----------------|
| ① | 1450x810x16 (x1) | ⑧ | 396x340x16 (x1) |
| ② | 724x356x16 (x1) | ⑨ | 356x116x16 (x2) |
| ③ | 1424x236x16 (x1) | ⑩.1 | 100x303x16 (x2) |
| ④ | 724x356x16 (x1) | ⑩.2 | 100x303x16 (x2) |
| ⑤ | 724x356x16 (x1) | ⑪ | 100x303x16 (x2) |
| ⑥ | 724x350x16 (x1) | ⑫ | 752x424x3 (x1) |
| ⑦ | 724x350x16 (x1) | ⑬ | 334x308x3 (x2) |

1:1

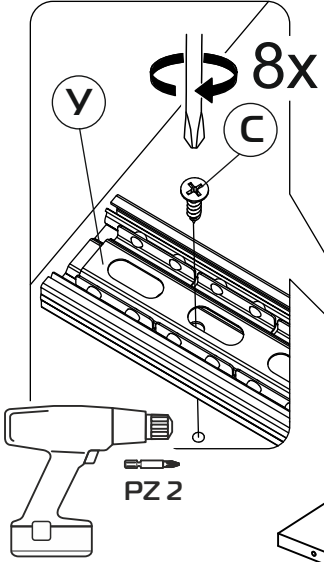
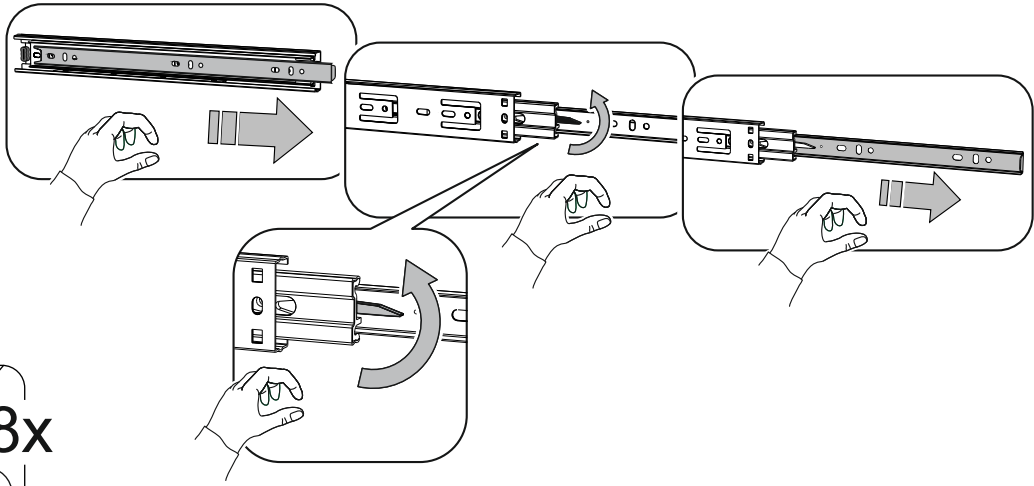


1:2

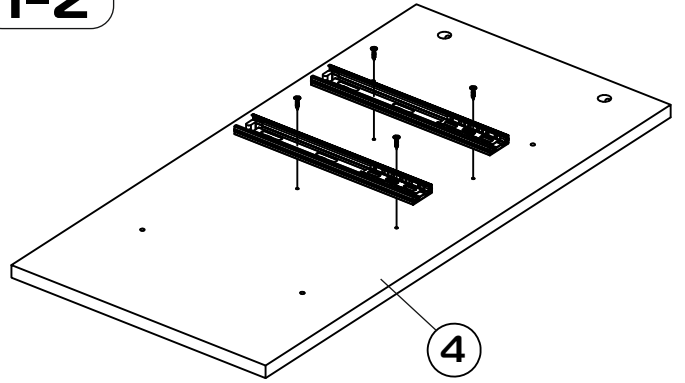
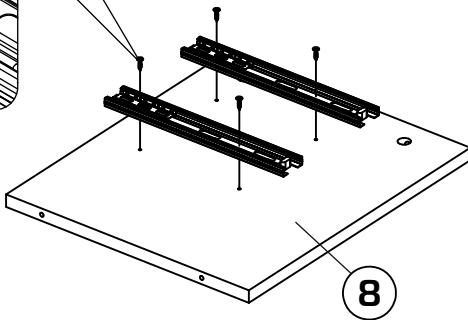


1

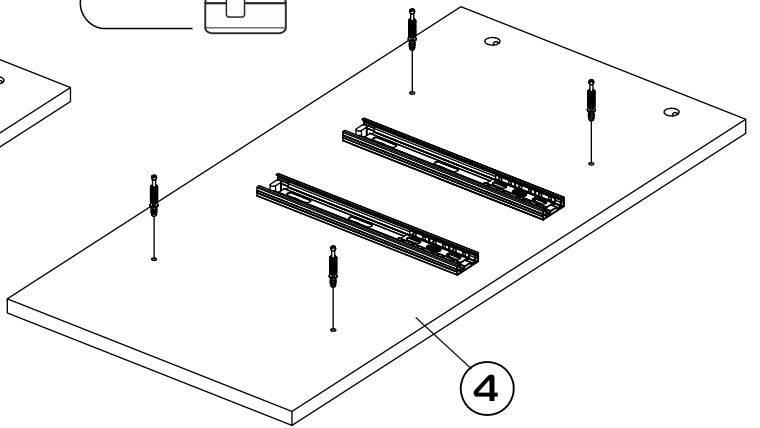
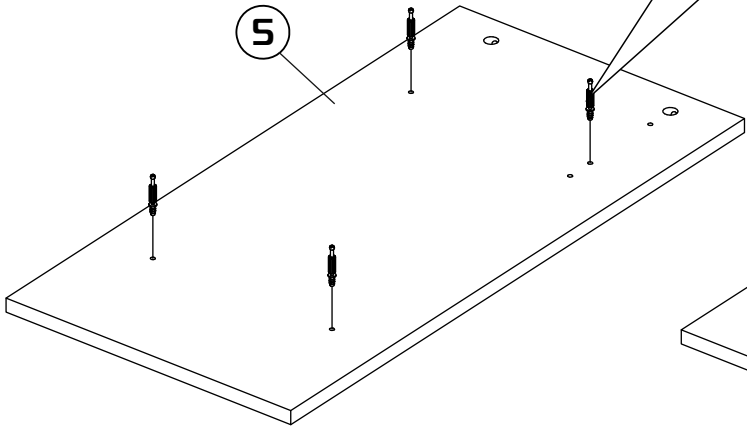
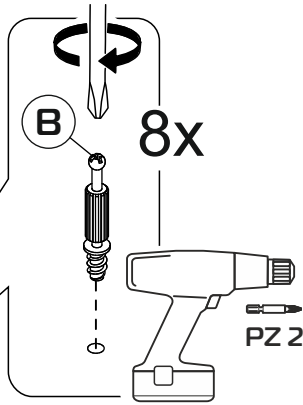
1-1



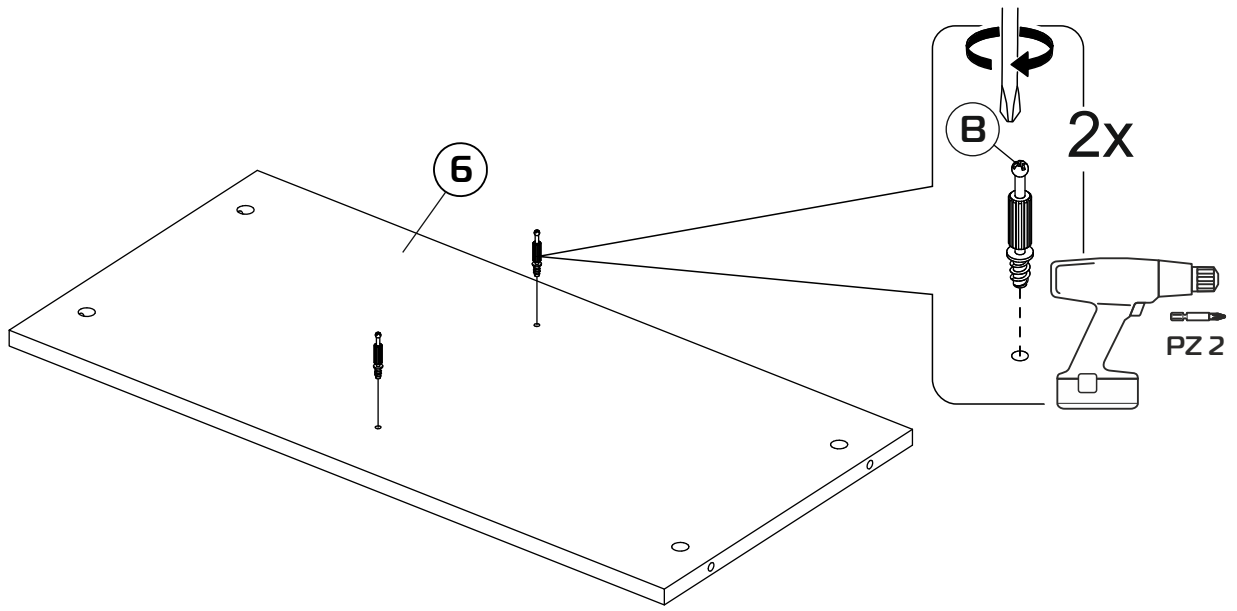
1-2



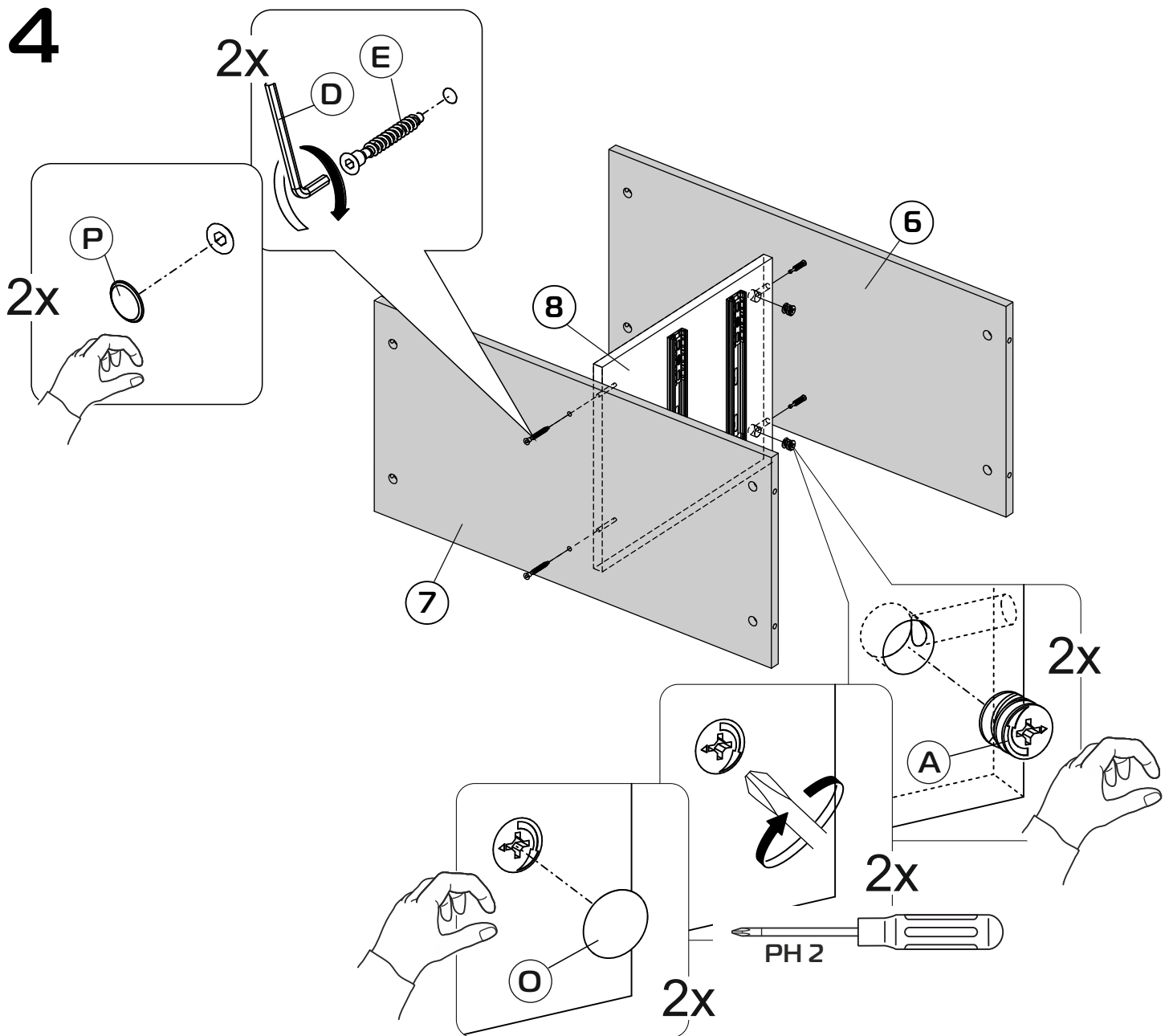
2



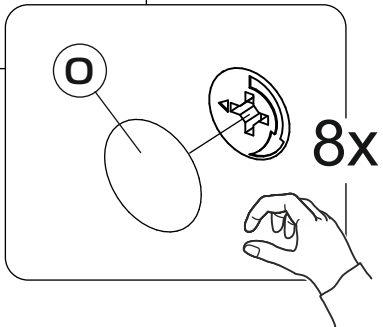
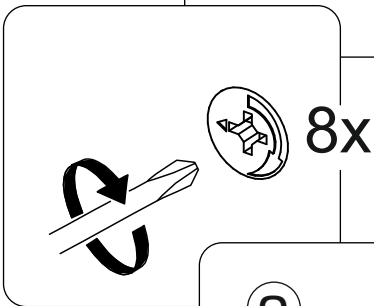
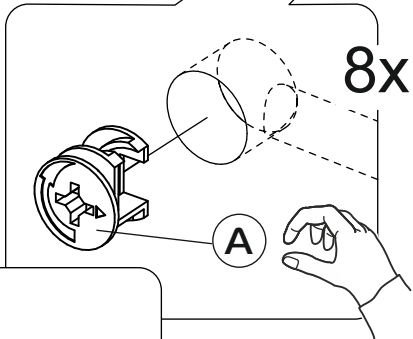
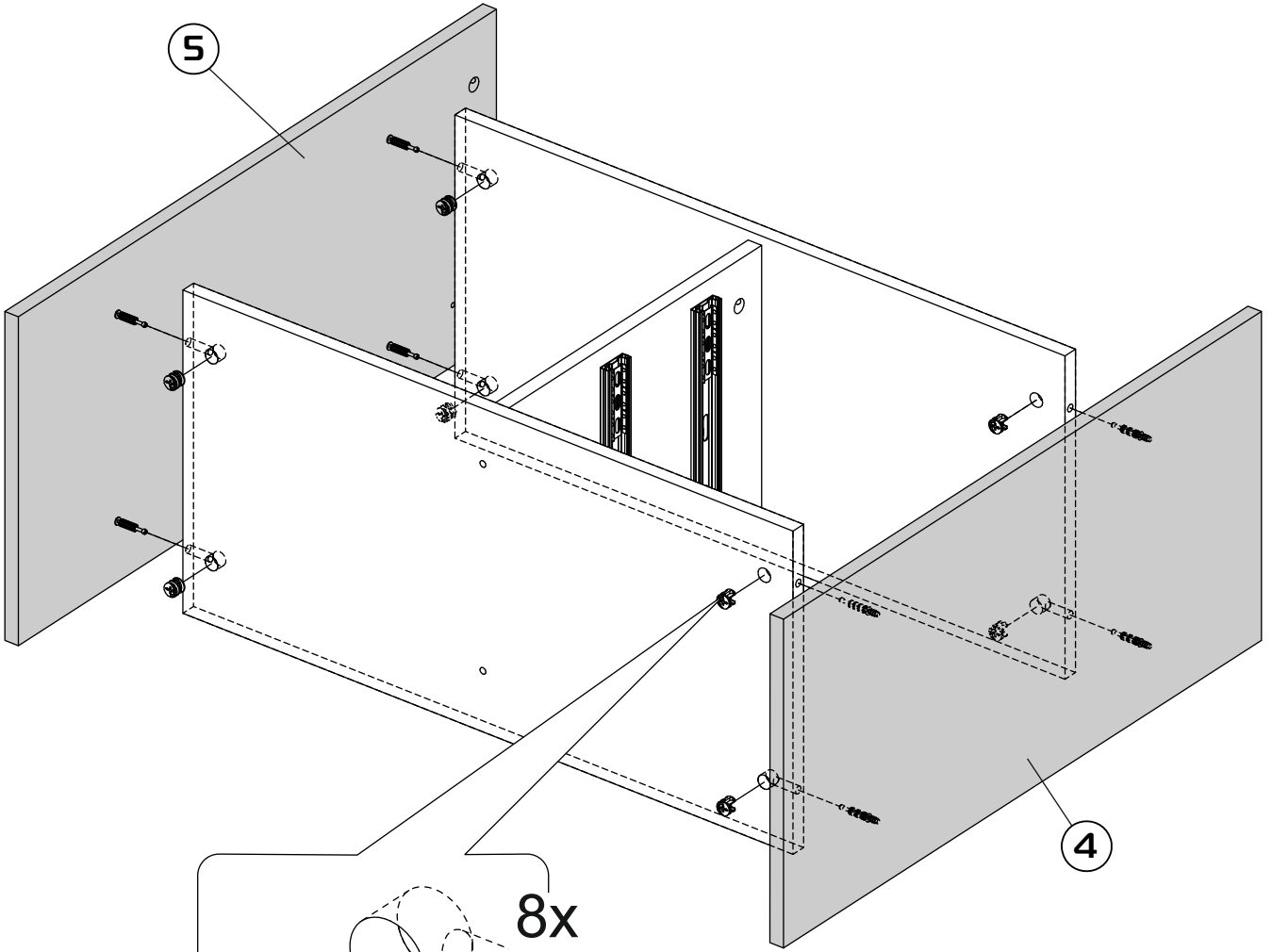
3



4

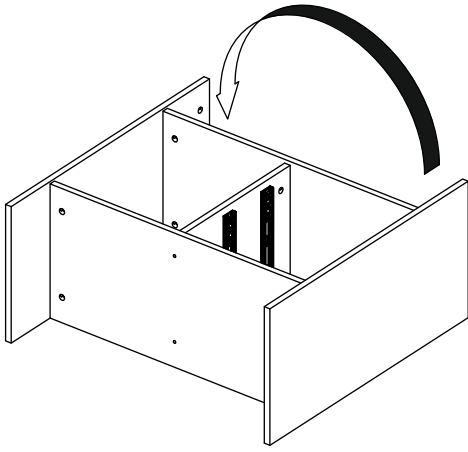


5



6

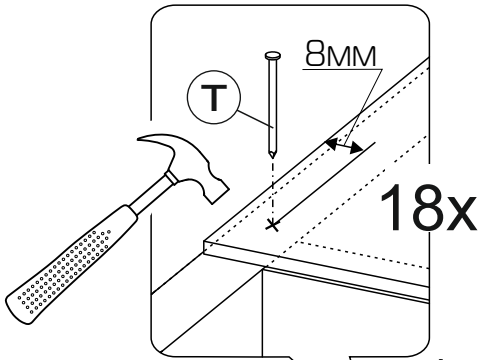
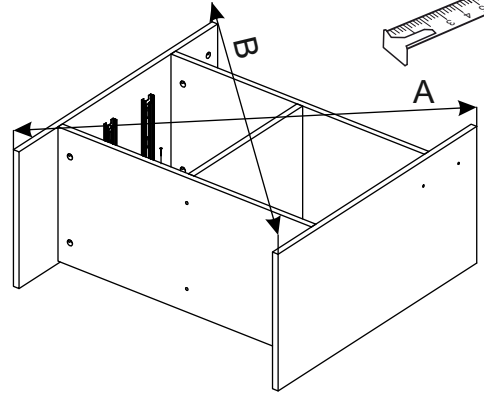
6-1



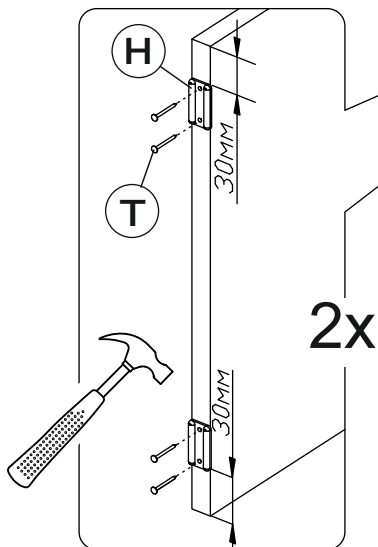
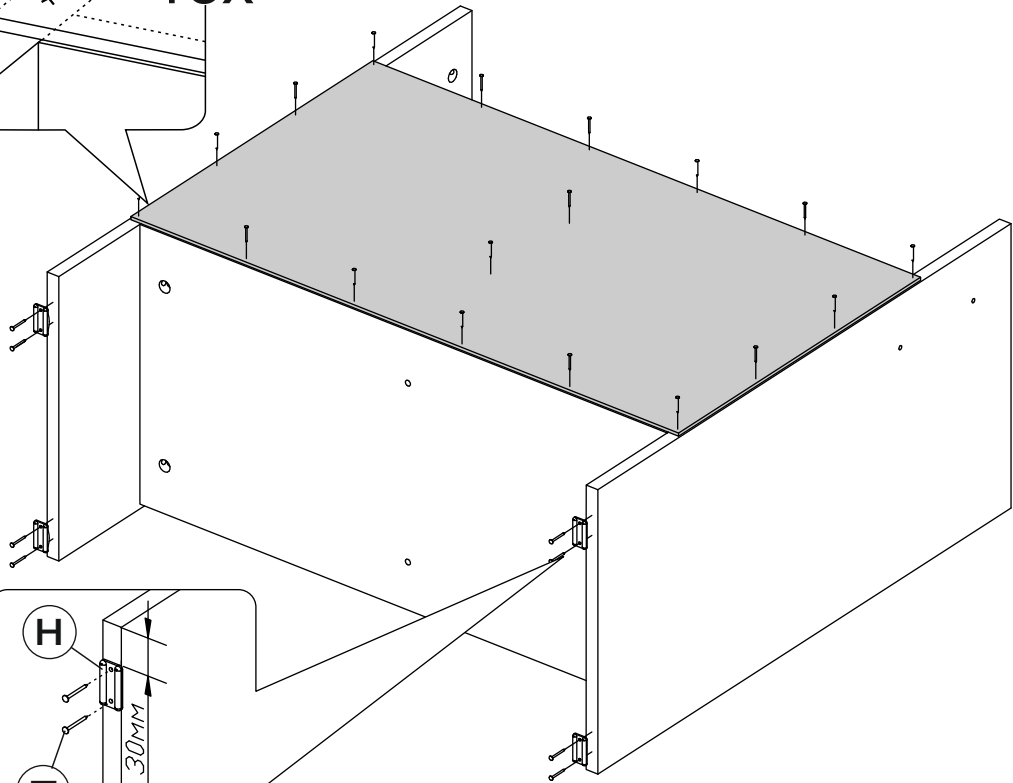
6-2



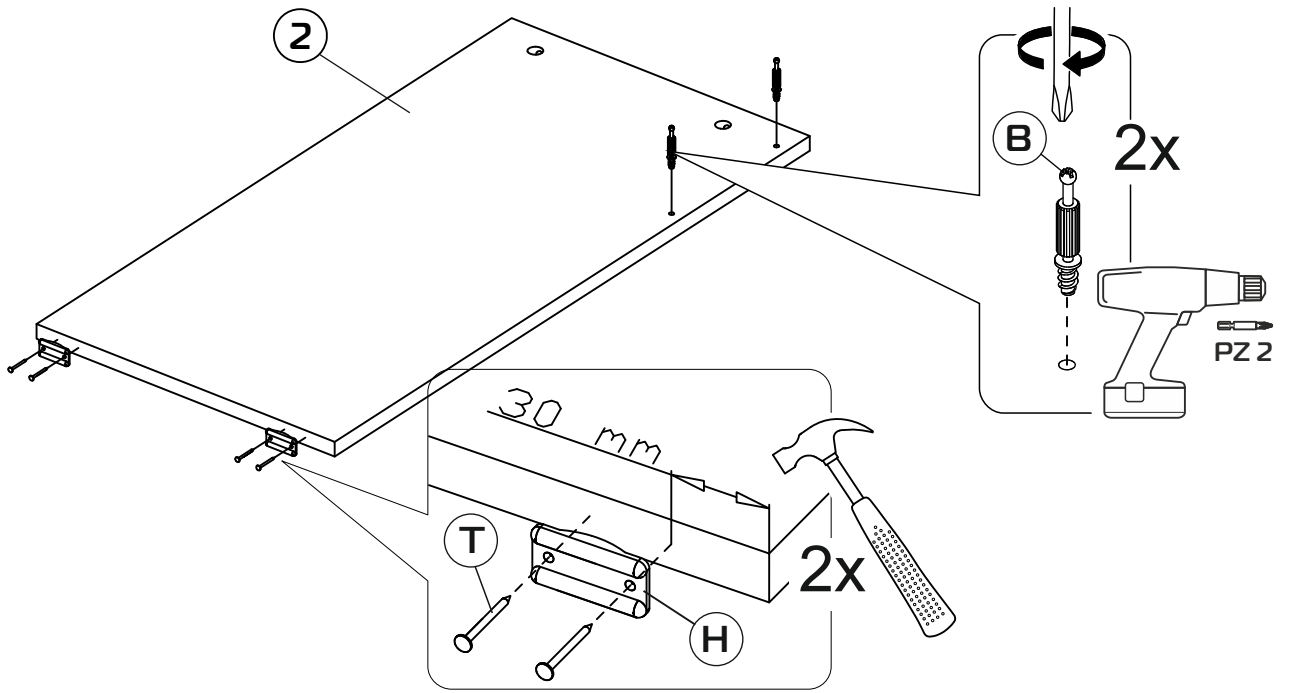
$A=B$



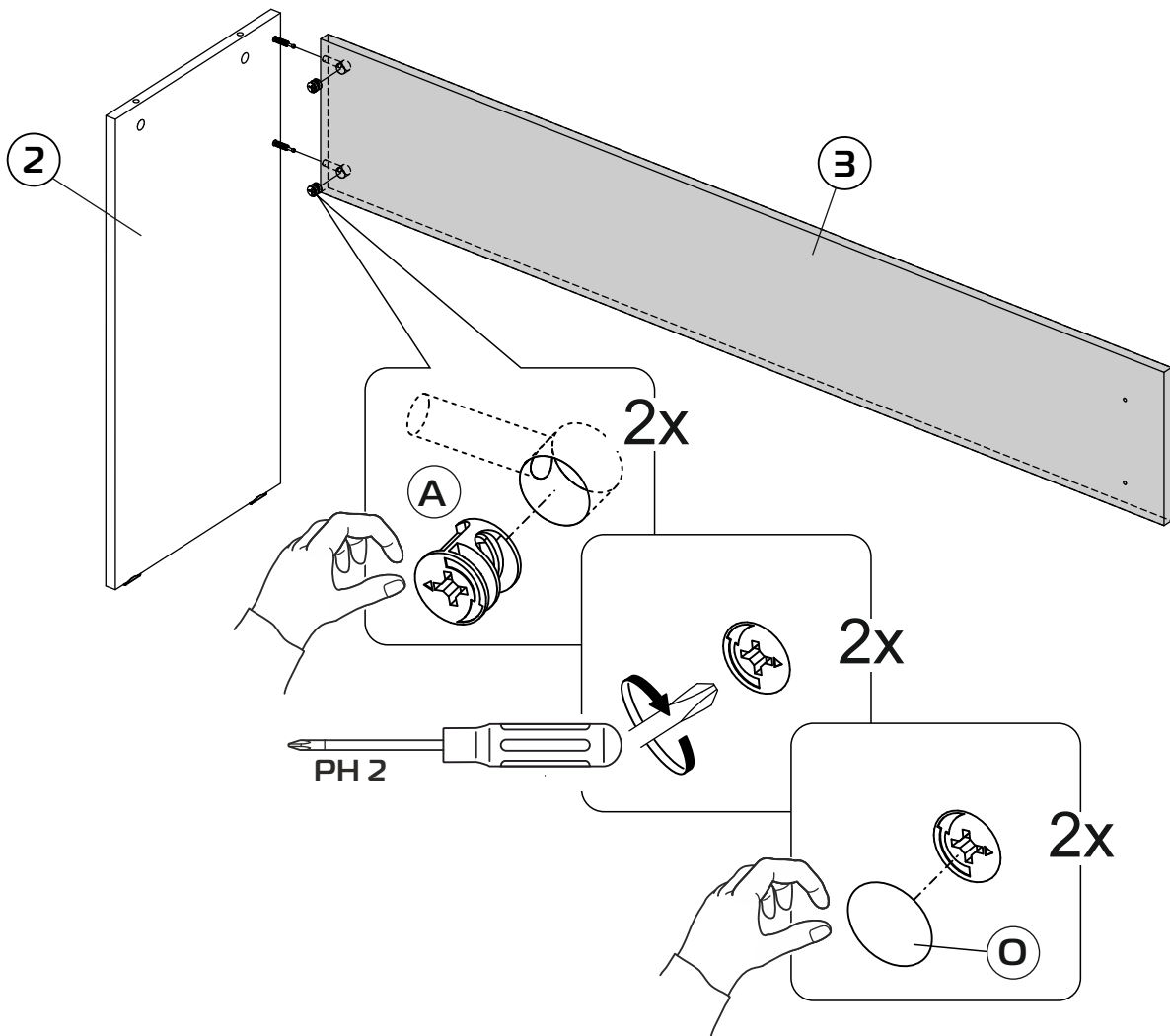
6-3



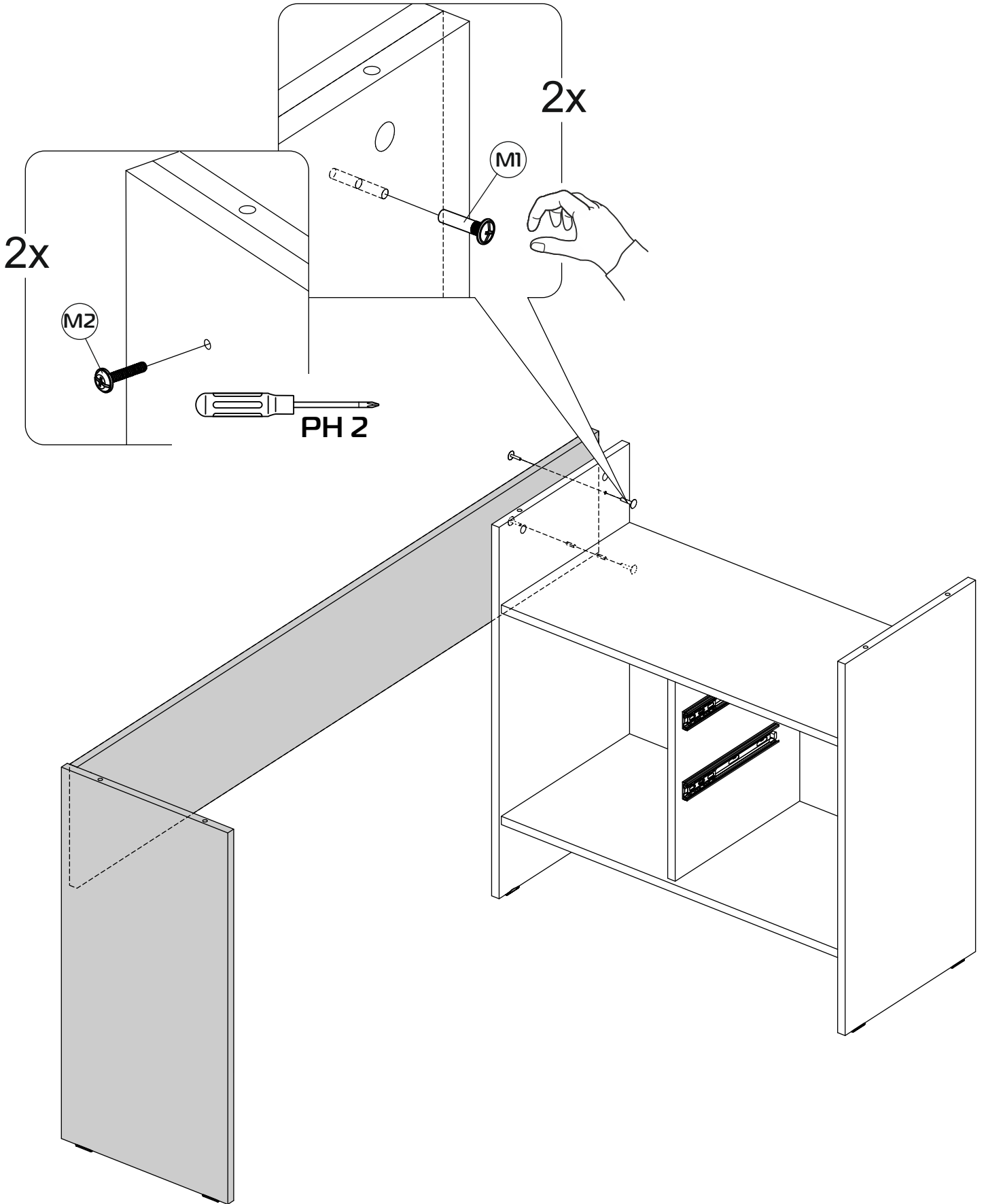
7



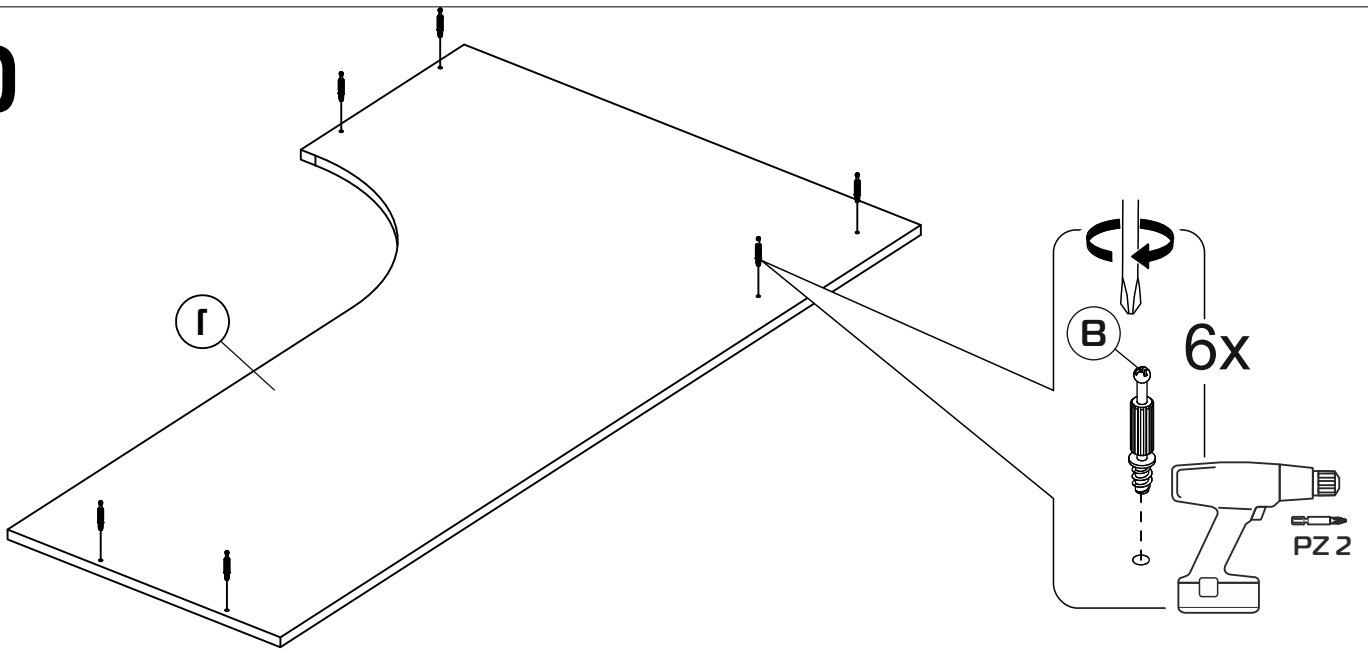
8



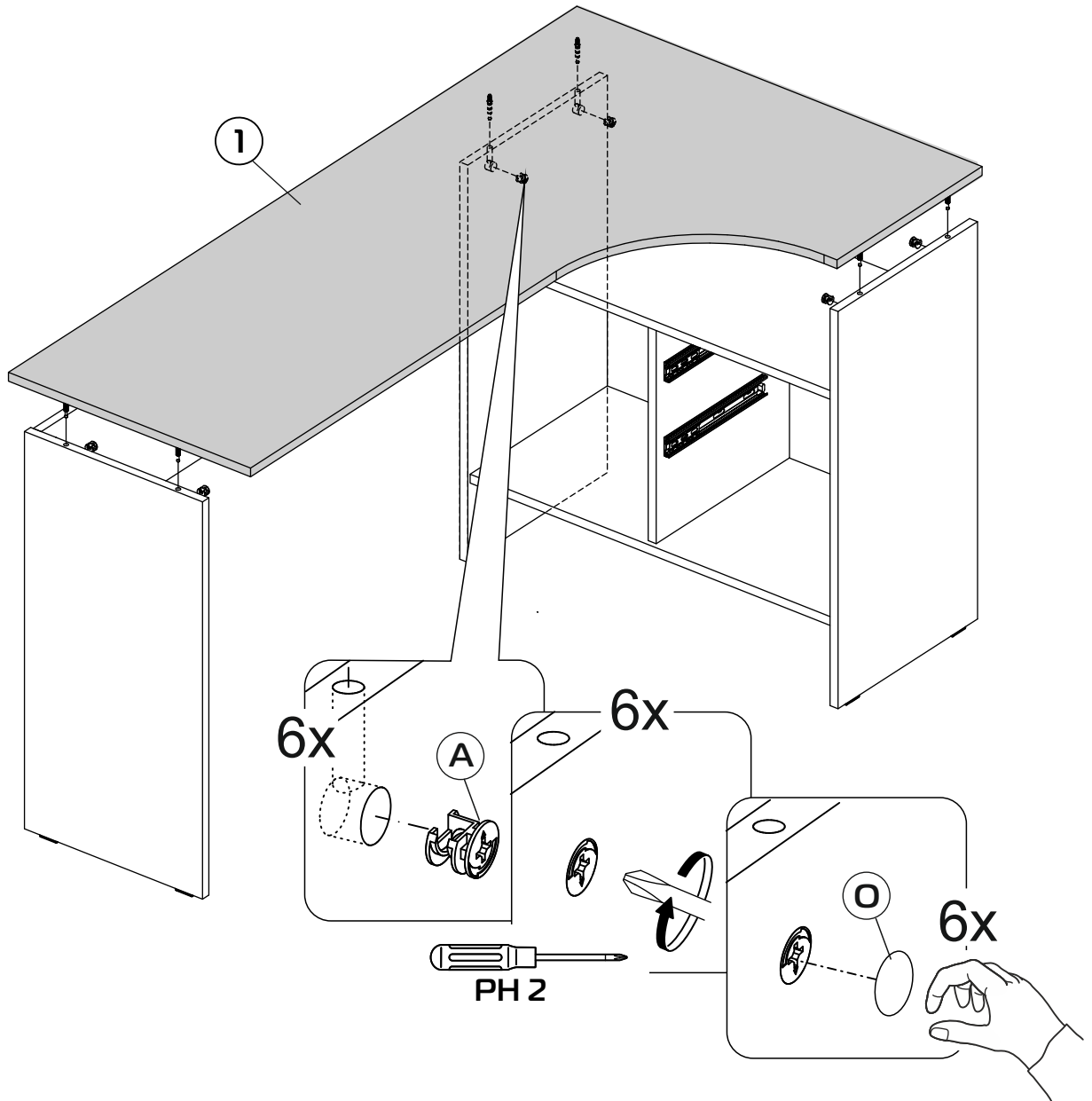
9



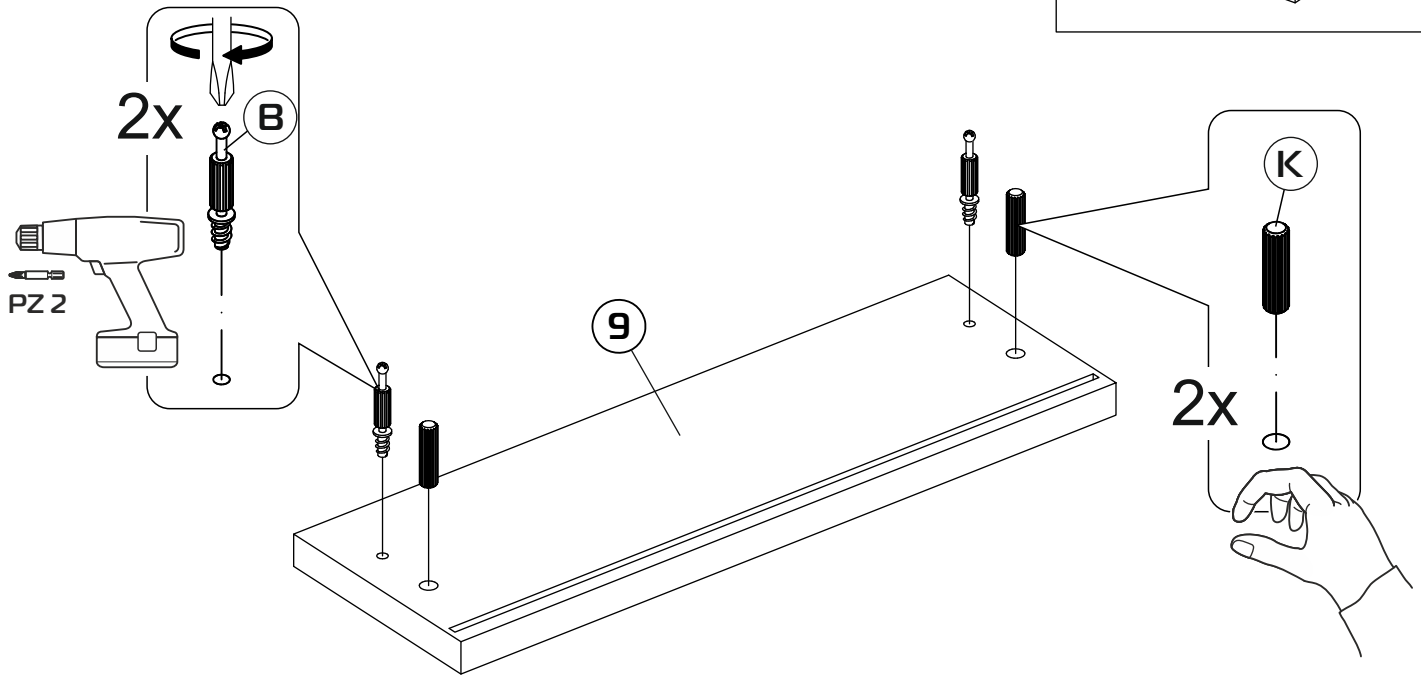
10



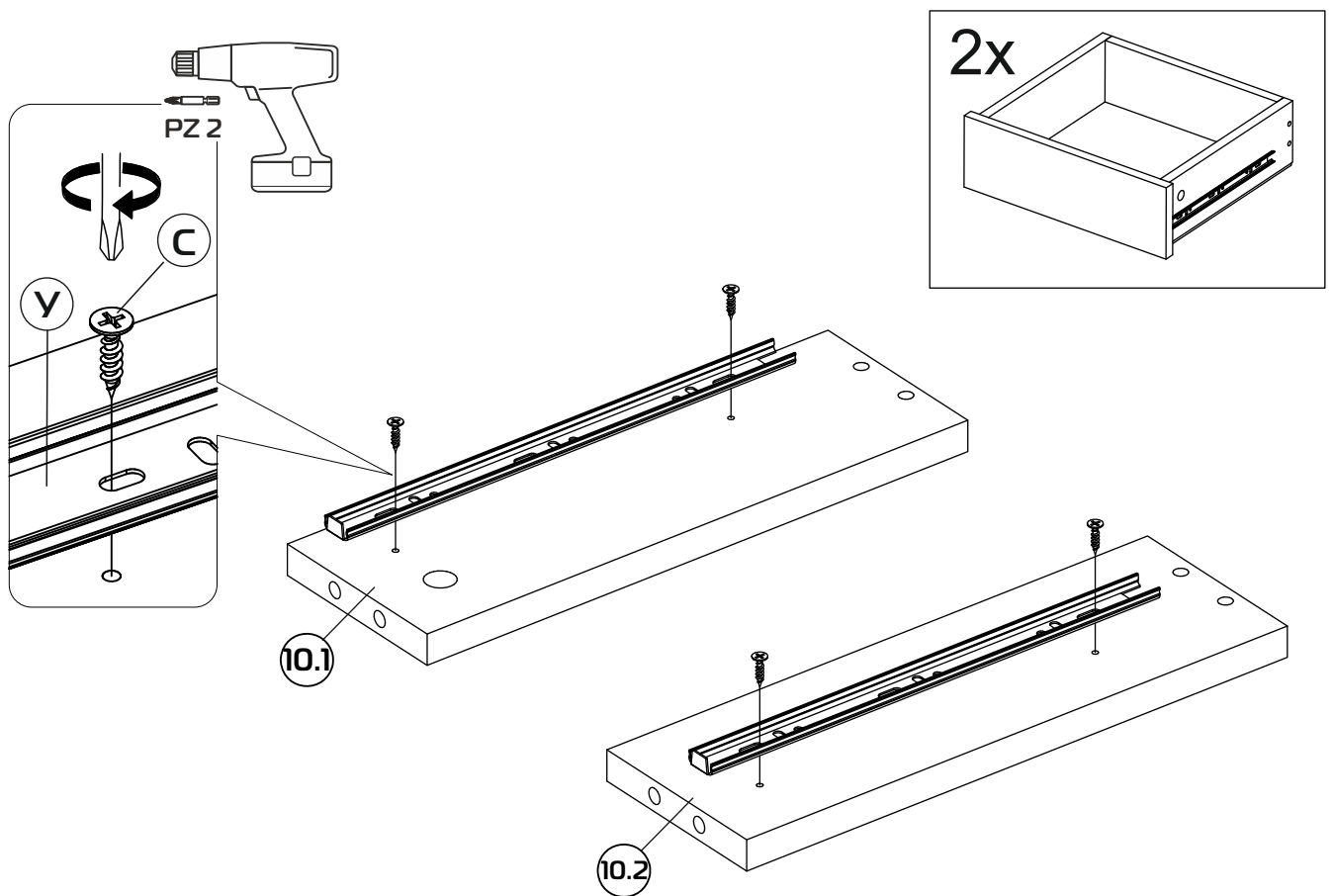
11



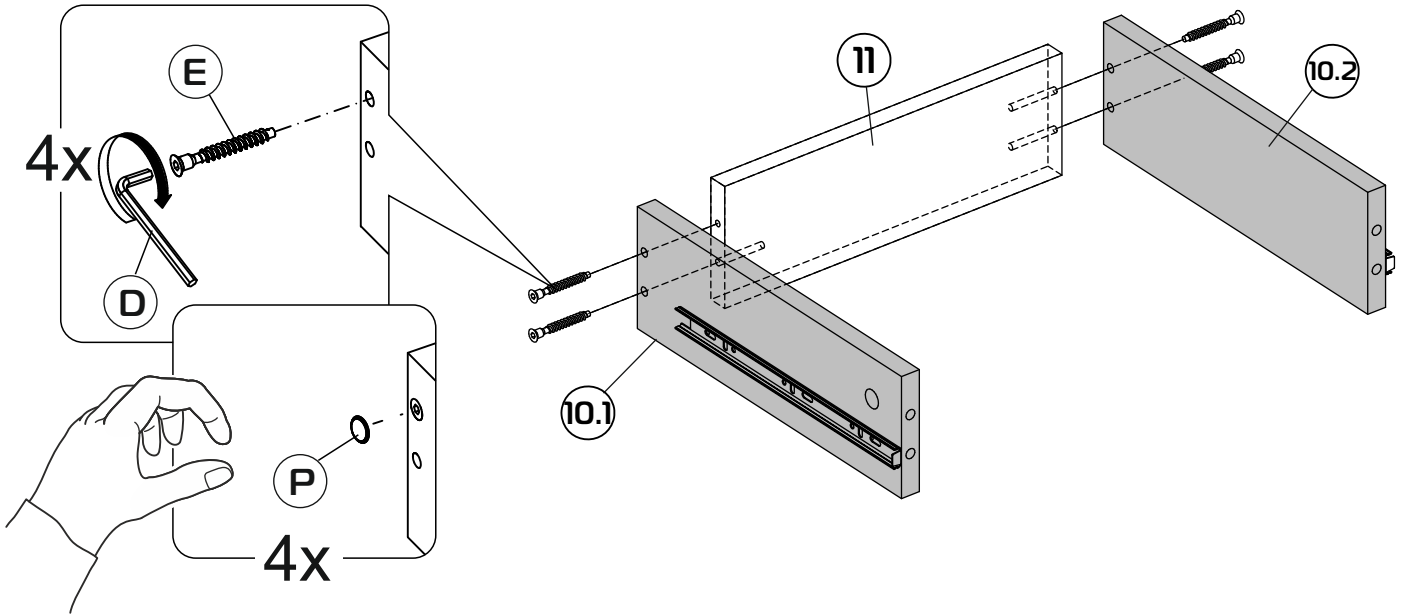
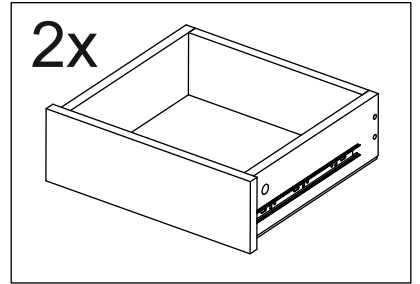
12



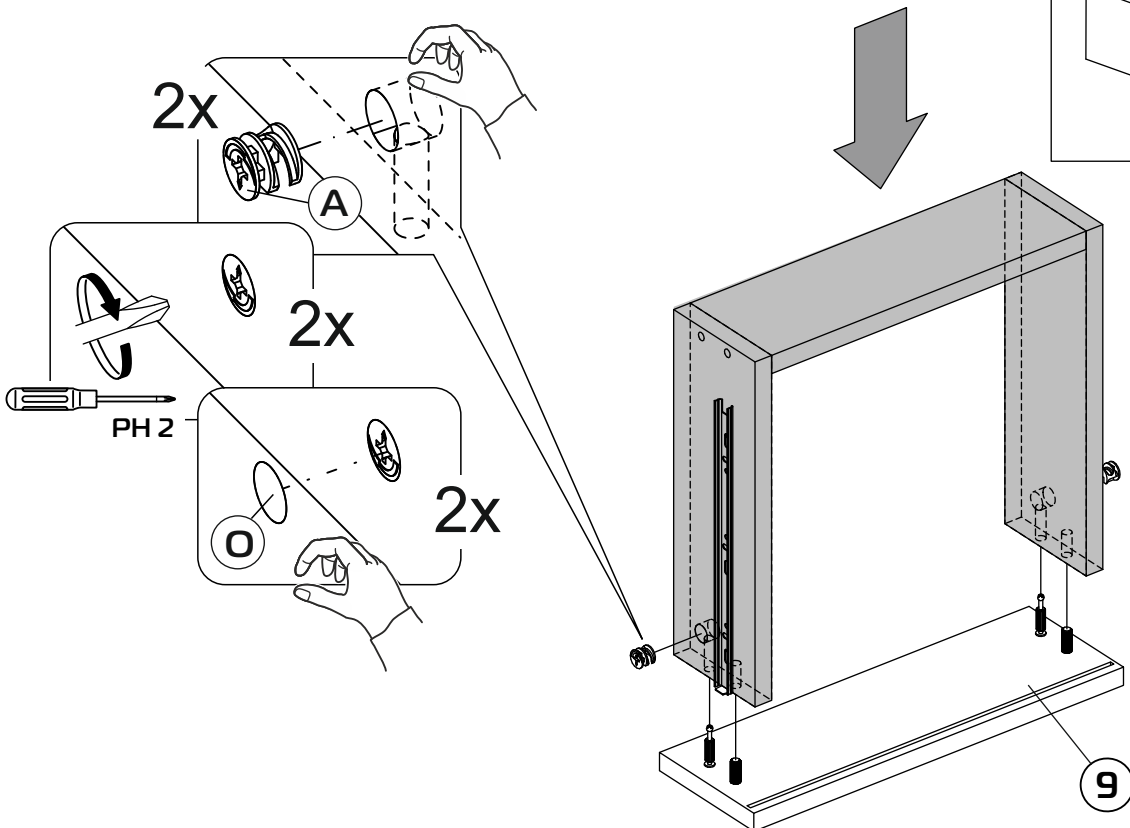
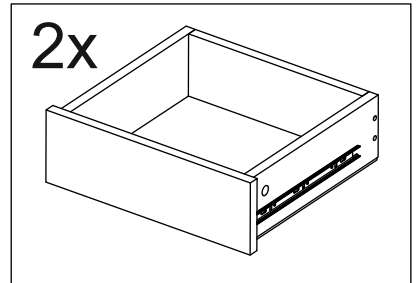
13



14

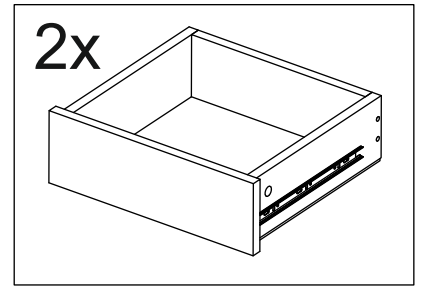
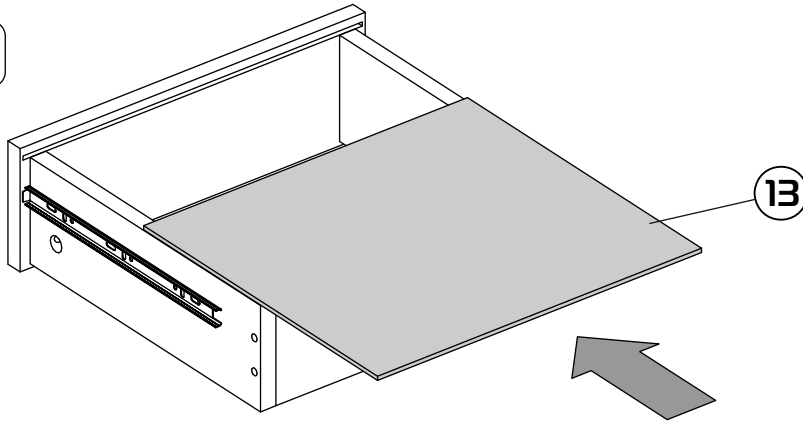


15

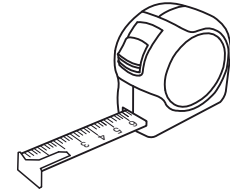
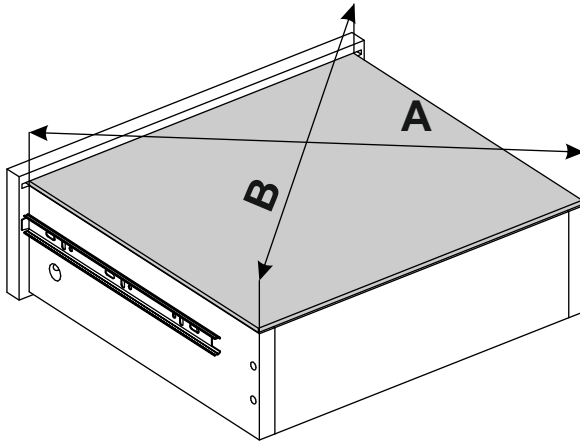


16

16-1



16-2



16-3

