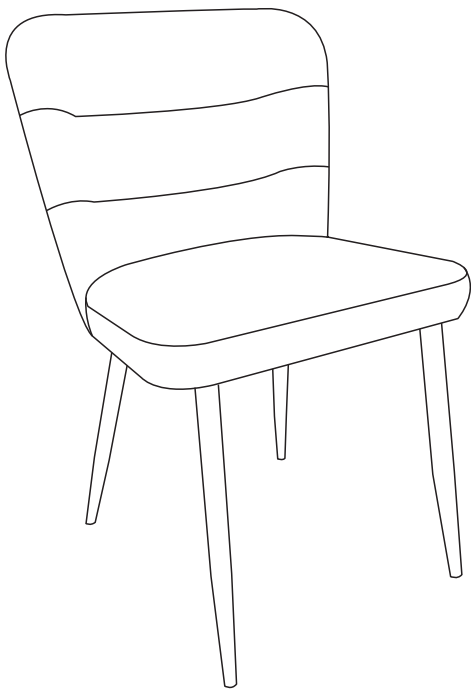
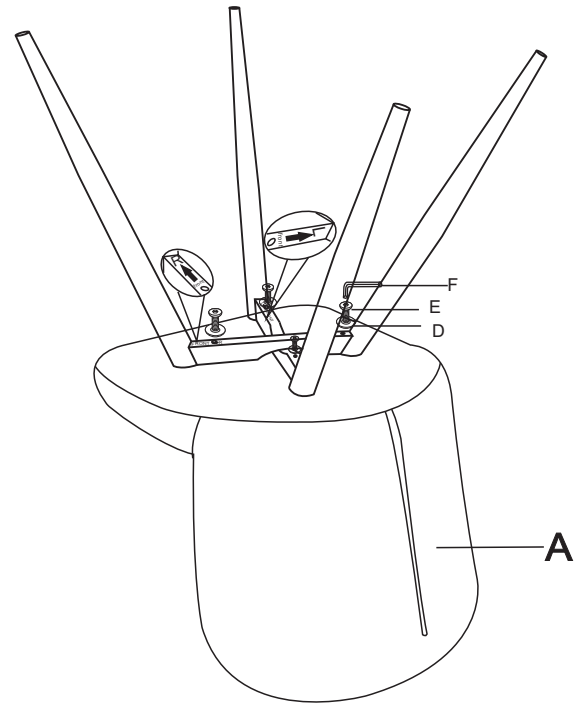
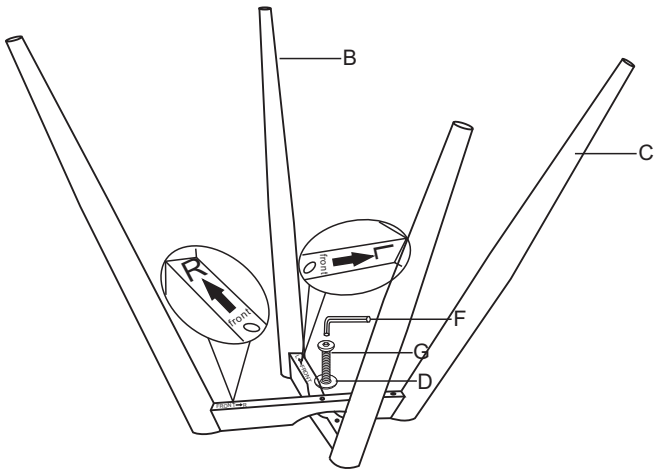


ASSEMBLY INSTRUCTION



A		1
B		1
C		1
D	 M6*16	5
E	 M6*50	4
F	 M5	1
G	 M6*30	1

