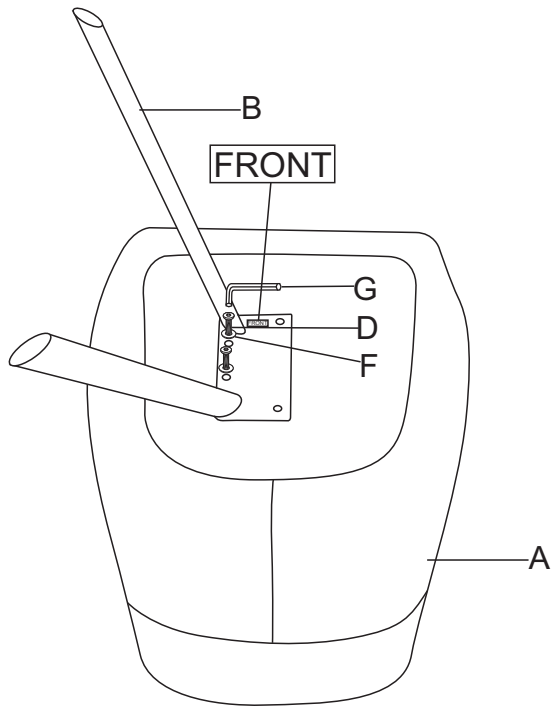
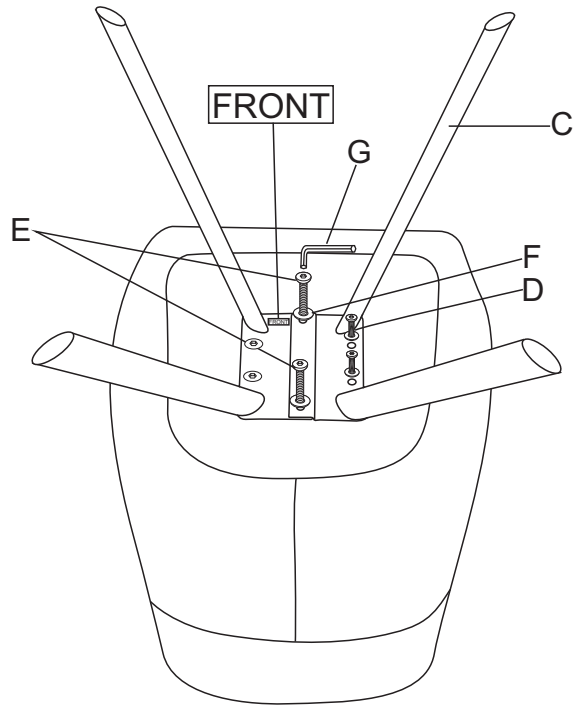


# ASSEMBLY INSTRUCTION

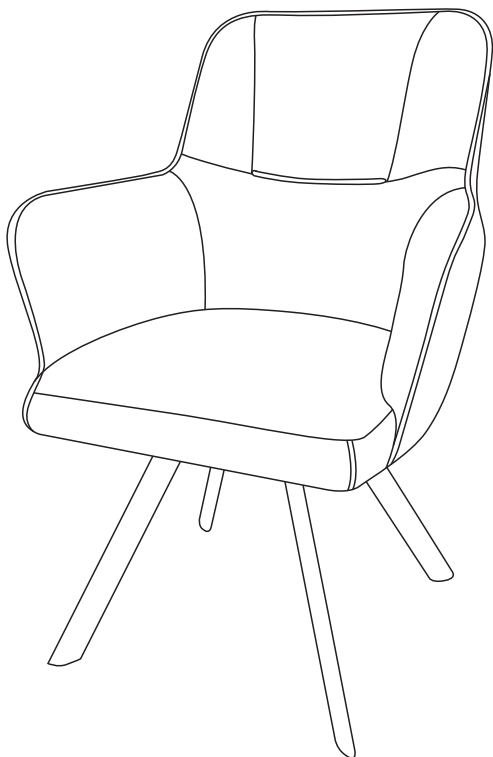
1.



2.



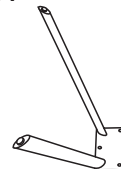
3.



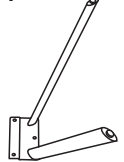
Ax1



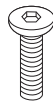
Bx1



Cx1

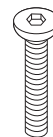


Dx4



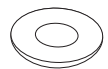
M6\*20

Ex2



M6\*25

Fx6



M6\*18

Gx1



M4

