

ASSEMBLY INSTRUCTION
3111-MN1322-1896



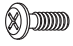


FITTINGS	SPEC	AMOUNT	FITTINGS	SPEC	AMOUNT
A	 M6*15	4PCS	B	 M6*30	4PCS
C	 M6*15	16PCS			

FIG.
1

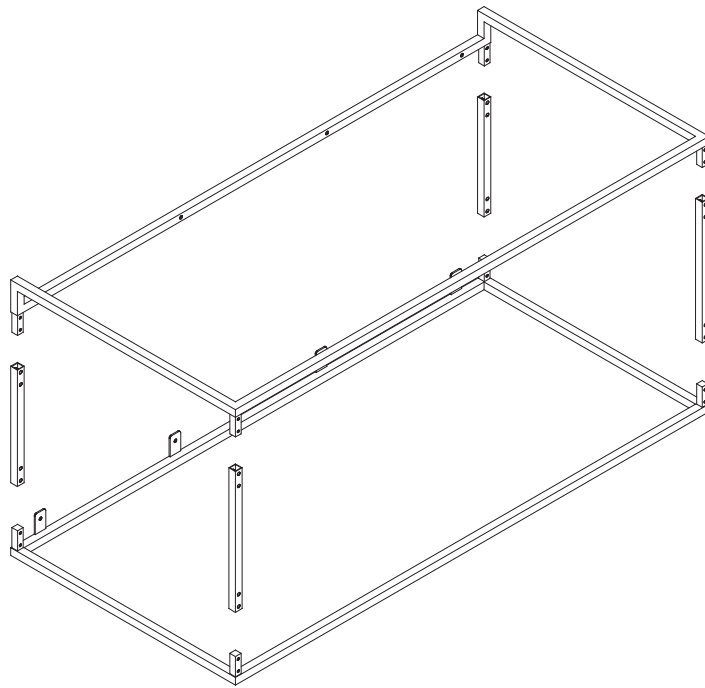


FIG.
2

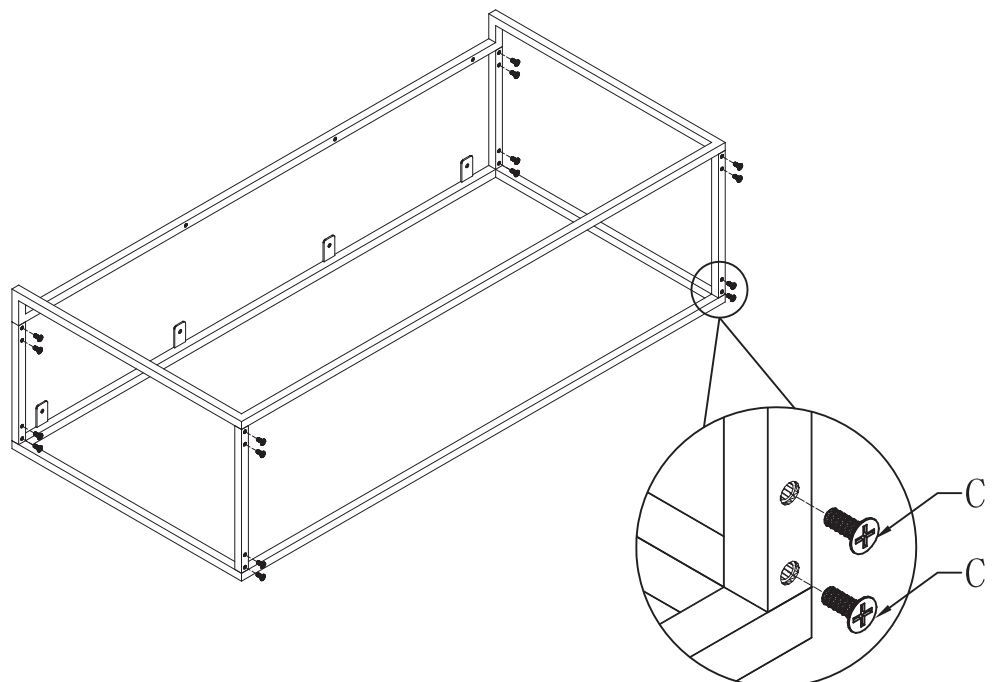


FIG.
3

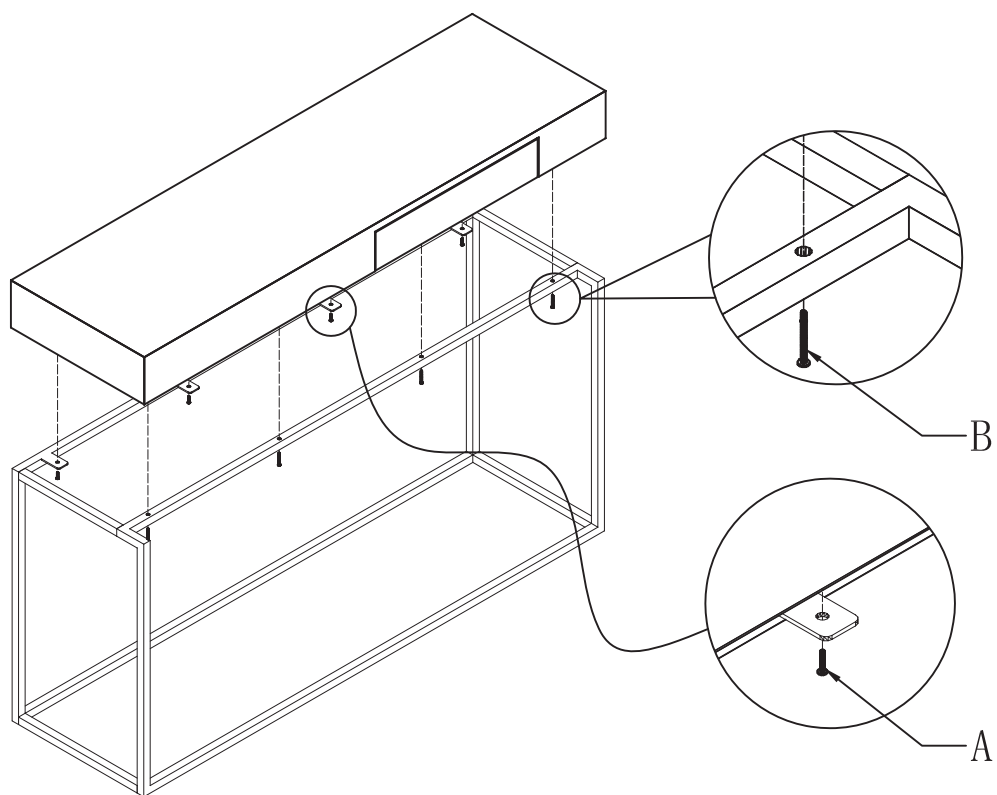


FIG.
4

