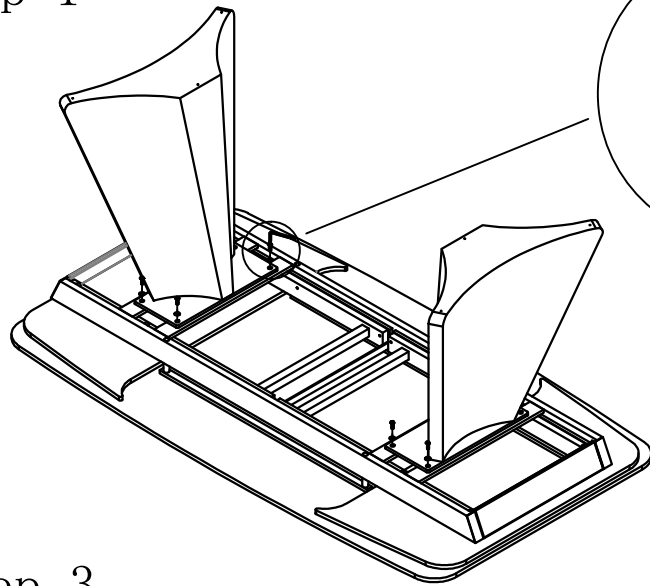
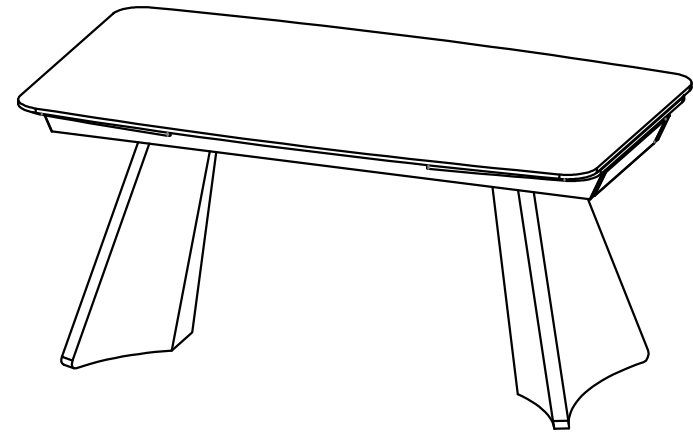


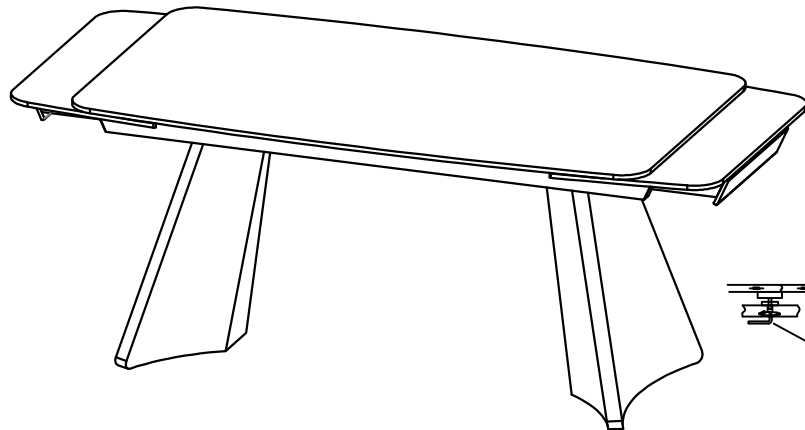
Step 1



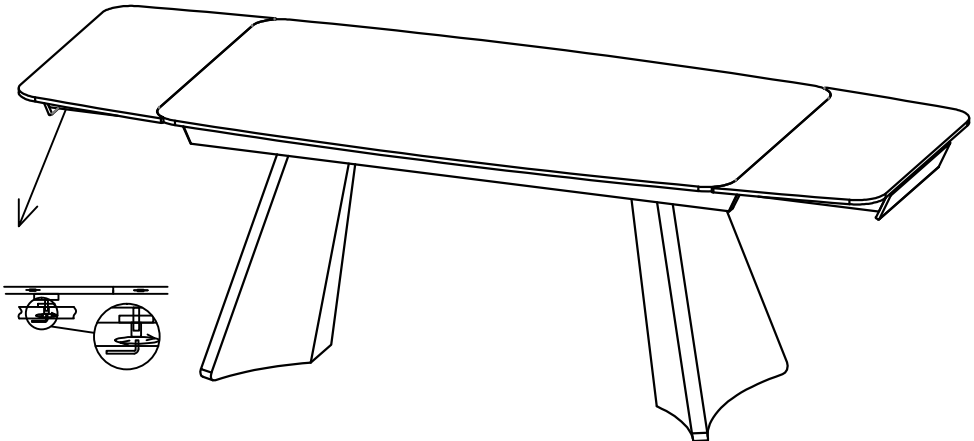
Step 2







Step 3



Finish



DT9026

NO.	A	B	C	D
TYPE	 5#	 M8x20	 8#	 8#
QTY	1PC	8PCS	8PCS	1PC