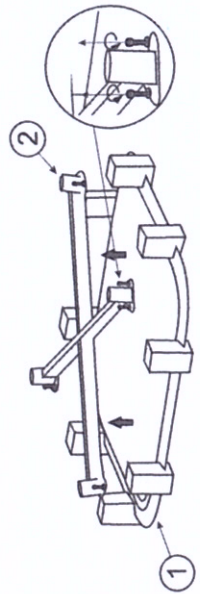
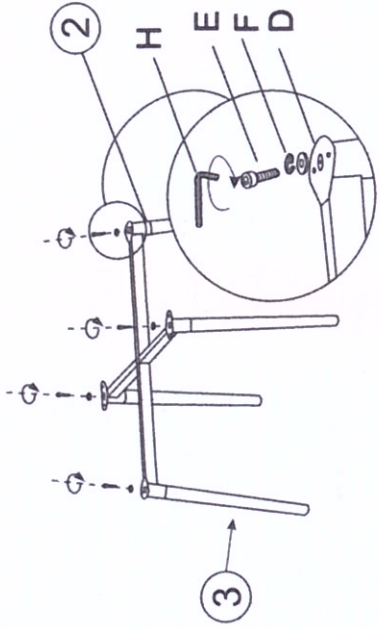


step 1

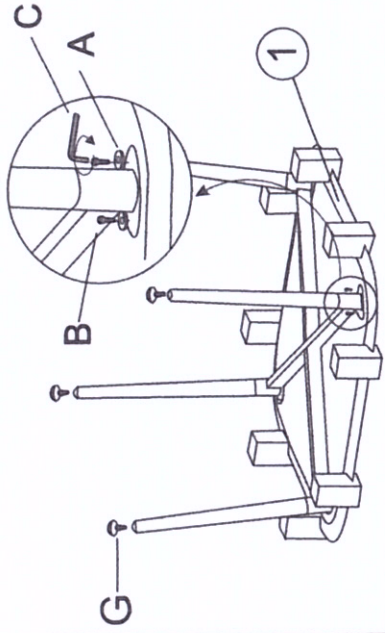
PLEASE SEPARATE 1 AND 2 FIRST.



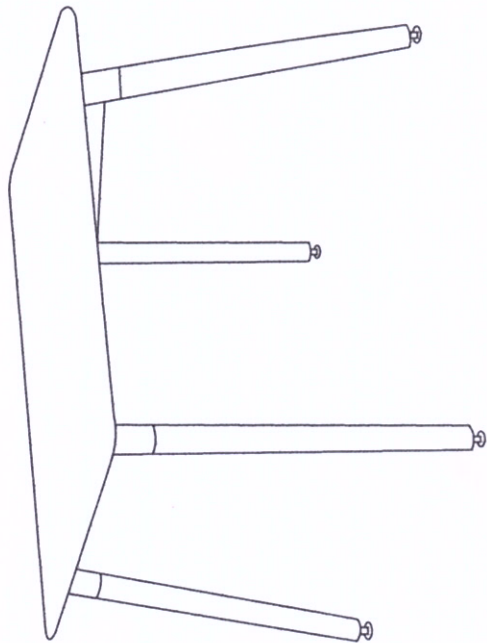
step 2



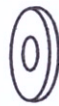
step 3



step 4



A



*8

B



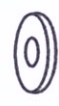
*8

C



*1

D



*4

E



*4

F



*4

G



*4

H



*1