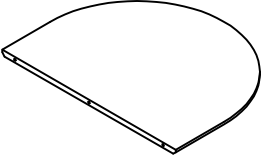
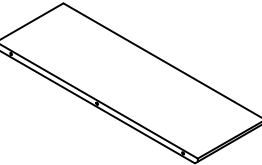
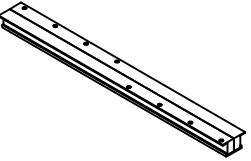
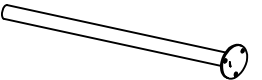



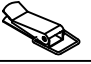





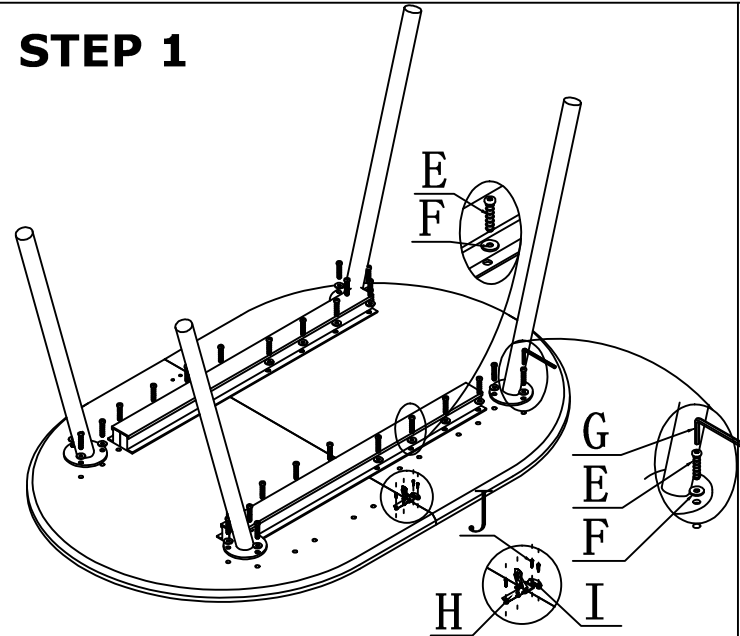
ASSEMBLY INSTRUCTION

MOD. NO. DT-95

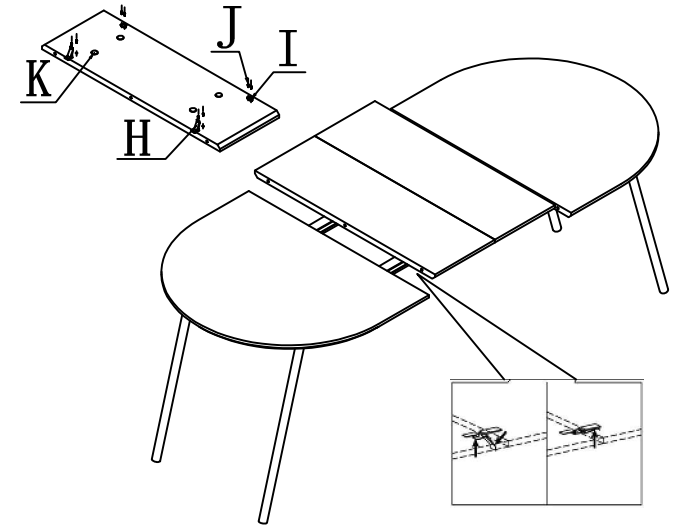
COMPONENTS

A		2
B		2
C		2
D		4
E		28
F		28
G		1
H		6
I		6
J		24
K		8

STEP 1



STEP 2



STEP 3

